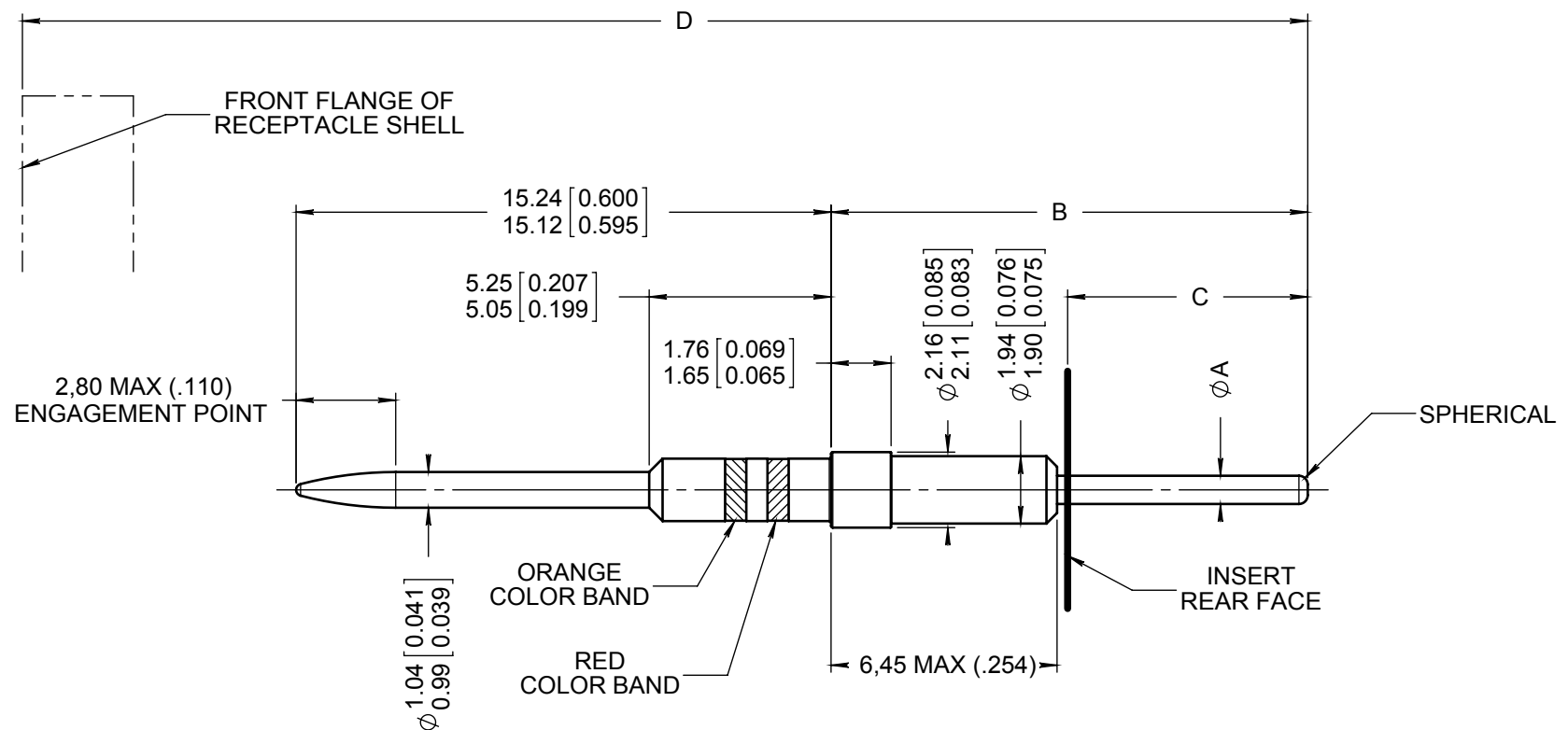


Series
NSX

SIZE 20 FRONT RELEASE, FRONT REMOVABLE
PC POST PIN CONTACTS

Issue:
Feb. 21, 2013

Page
1/1



	CTS P/N	Type	ØA		B		C EXTENSION / INSERT REAR FACE		D EXTENSION / FRONT FLANGE OF SHELL	
			BEFORE TINNING	AFTER TINNING	BEFORE TINNING	AFTER TINNING	BEFORE TINNING	AFTER TINNING	BEFORE TINNING	AFTER TINNING
NOT TINNED	620 214 018	YA		NA	11,00 (.434)	NA	4,60 (.181)	NA	35,20 (1.385)	NA
TIN LEADED	620 214 019	ZA	Ø0,85 (.033)	1,00 MAX (.039)	10,80 (.425)	11,50 MAX (.453)	3,80 (.150)	5,10 MAX (.200)	33,80 (1.330)	35,70 MAX (1.405)
ROHS TINNED	620 214 518	RA	Ø0,80 (.031)							
NOT TINNED	620 214 010	Y		NA	13,60 (.536)	NA	7,20 (.283)	NA	37,80 (1.488)	NA
TIN LEADED	620 214 013	Z	Ø0,85 (.033)	1,00 MAX (.039)	13,40 (.527)	14,10 MAX (.556)	6,40 (.252)	7,70 MAX (.303)	36,40 (1.433)	38,30 MAX (1.508)
ROHS TINNED	620 214 510	R	Ø0,80 (.031)							
NOT TINNED	620 214 003	YB		NA	16,79 (.662)	NA	10,30 (.406)	NA	41,00 (1.614)	NA
TIN LEADED	620 214 008	ZB	Ø0,85 (.033)	1,00 MAX (.039)	16,59 (.653)	17,29 MAX (.681)	9,50 (.374)	10,80 MAX (.425)	39,60 (1.559)	41,50 MAX (1.634)
ROHS TINNED	620 214 503	RB	Ø0,80 (.031)							
NOT TINNED	620 214 021	YC		NA	20,00 (.788)	NA	13,60 (.535)	NA	44,20 (1.740)	NA
TIN LEADED	620 214 022	ZC	Ø0,85 (.033)	1,00 MAX (.039)	19,80 (.779)	20,50 MAX (.808)	12,80 (.504)	14,10 MAX (.555)	42,80 (1.685)	44,70 MAX (1.760)
ROHS TINNED	620 214 521	RC	Ø0,80 (.031)							

MATERIAL :

- LEADED NICKEL COPPER (C97)
- PROTECTIVE SLEEVE : STAINLESS STEEL PER AISI 305

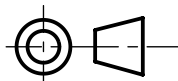
FINISH :

- BODY : PLATING .00005 INCH OF GOLD PER MIL-G-45204 TYPE I OR II, GRADE C OR D, CLASS 1 OVER NICKEL PER QQ-N-290
- PWD SOLDER CONTACT AREA WHICH IS : - TIN LEADED PER QQ-S-571
- ROHS TINNED

- PROTECTIVE SLEEVE : PASSIVATED

INSERTION/EXTRACTION TOOL : RADIALL 282 503

DIMENSIONS : mm (inch are given for information only)



CREATION				
PEN:				
NOM: LEGENDRE T.				
DATE: Dec. 16, 2008	Feb. 21, 13	Insertion/Extraction tool P/N mistake	Branjonneau	Dupuis
APPR.: BROCHET L.	Issue	Revisions	Name	Approved