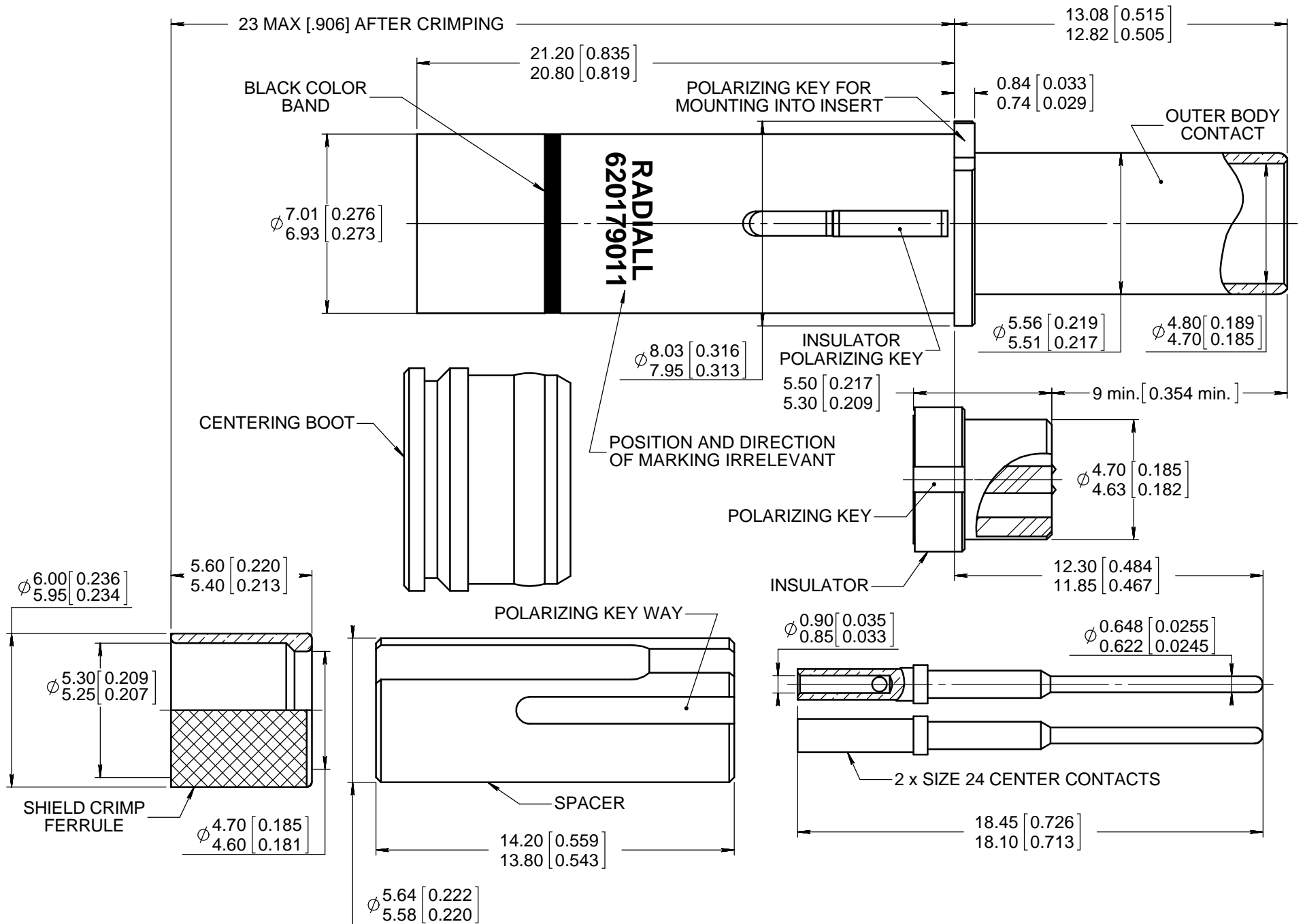


**Series
NSX**
**NONENVIRONMENTAL SIZE 8 QUADRAX PIN CONTACT
FOR AXON TWINAX CABLE P506424
Spl THALES**
**Issue:
Sept. 05, 2012**
**Page
1/1**

MATERIAL:

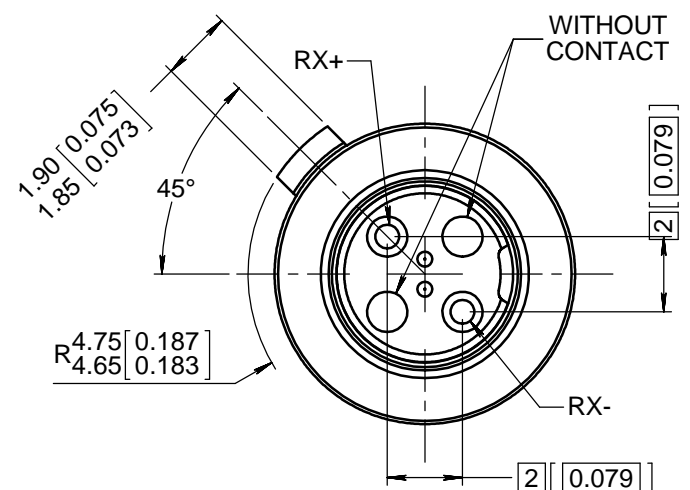
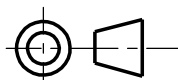
- OUTER, CENTER CONTACTS AND FERRULE: COPPER ALLOY
- INSULATOR AND CENTERING BOOT: PTFE PER ASTM-D-1710 OR EQUIVALENT PER MIL-R-25988 OR ZZ-R-765
- SPACER : THERMOPLASTIC PER ASTM D 5205

FINISH:

- ALL METAL PARTS:
PLATING .00005 INCH OF GOLD PER MIL-G-45204 TYPE I OR II
GRADE C OR D CLASS 1 OVER NICKEL PER QQ-N-290

EXTRACTION TOOL:

- M81969/28.03 (RADIALL: 282 549 001) OR M81969/14-06

WIRING INSTRUCTIONS: SEE RP57186
BRAIDS RETENTION AFTER CRIMPING: 20N MINI.
ENGAGING FACE

DIMENSIONS : mm (inch are given for information only)


Estimated weight : . g

CREATION

PEN: M040004015B

NOM: MACARI JP.

DATE: April 28, 2004

APPR.: MONDOT JC.

Issue	Revisions	Name	Approved
Sept. 05, 12	Updated way of marking	Legendre T.	Dupuis V.
July 21, 05	Error corrected for spacer's material	Legendre T.	Lahoreau C.
Feb. 18, 05	Added braids retention	Macari JP.	Legendre T.