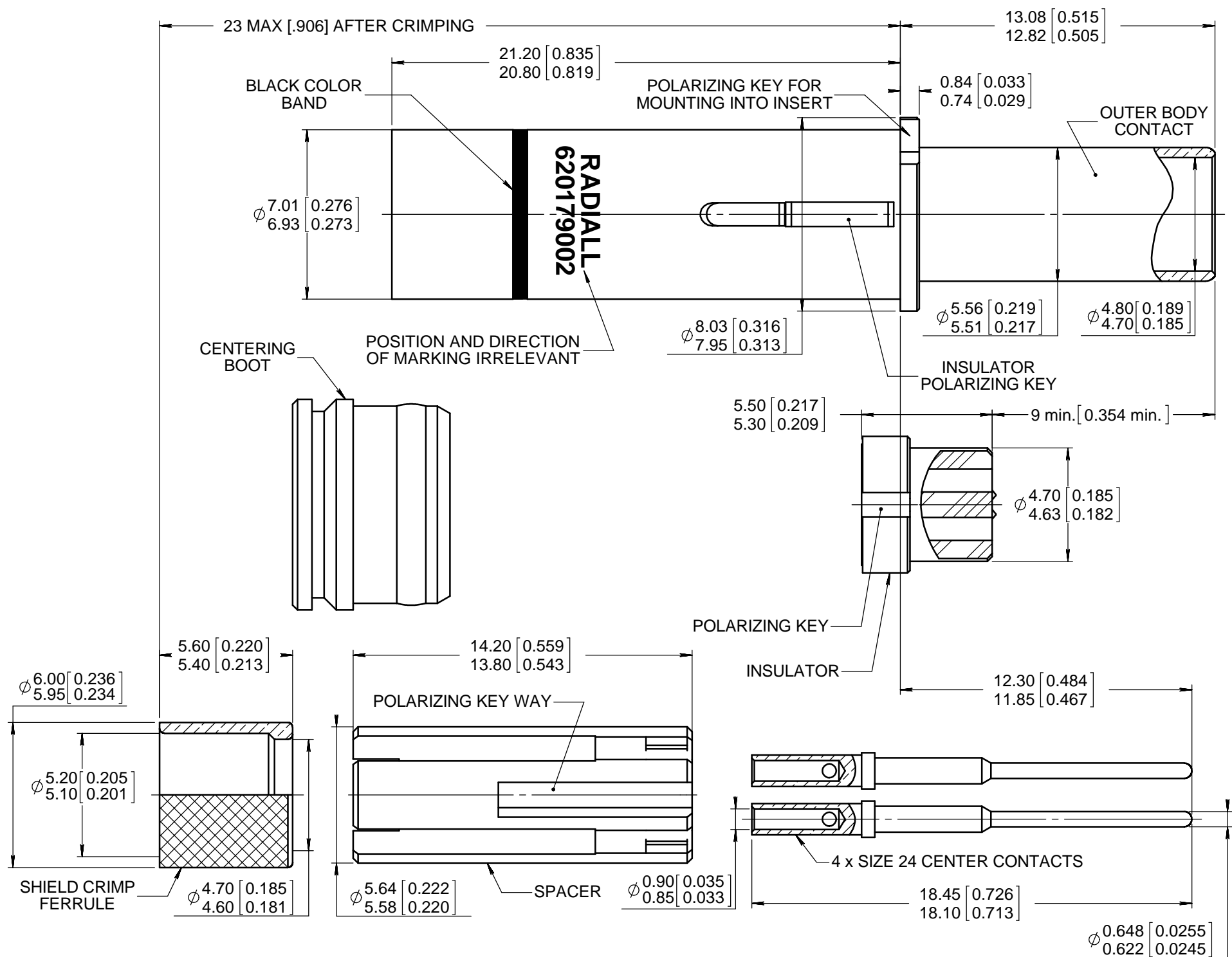


**Series
NSX**
**NONENVIRONMENTAL SIZE 8 QUADRAX PIN CONTACT
FOR JSFY02 QUADRAX CABLE**
**Issue:
Sept. 05, 2012**
**Page
1/1**

MATERIAL:

- OUTER, CENTER CONTACTS AND FERRULE: COPPER ALLOY
- INSULATOR AND CENTERING BOOT: PTFE PER ASTM-D-1710 OR EQUIVALENT PER MIL-R-25988 OR ZZ-R-765
- SPACER : THERMOPLASTIC PER ASTM D 5205

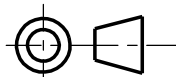
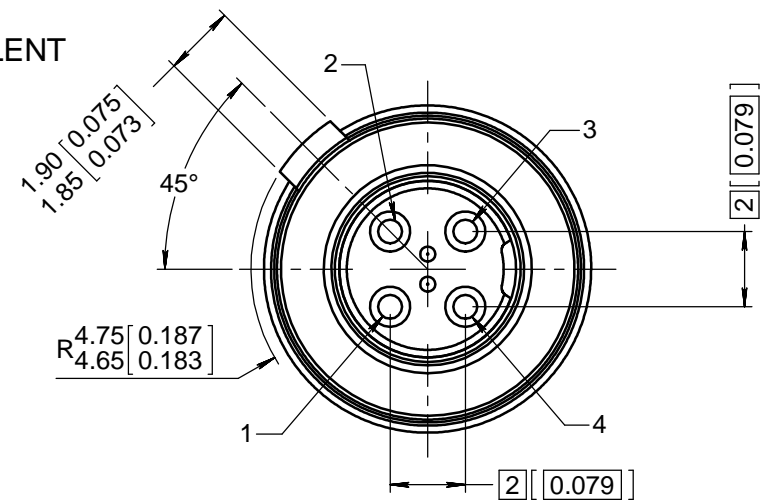
FINISH:

- ALL METAL PARTS:
PLATING .00005 INCH OF GOLD PER MIL-G-45204 TYPE I OR II
GRADE C OR D CLASS 1 OVER NICKEL PER QQ-N-290

EXTRACTION TOOL:

- M81969/28.03 (RADIALL: 282 549 001) OR M81969/14-06

WIRING INSTRUCTIONS: SEE RP57186

DIMENSIONS : mm (inch are given for information only)

ENGAGING FACE


Estimated weight : . g

CREATION

PEN: M030400075B

NOM: MACARI JP.

DATE: April 26, 2004

APPR.: MONDOT JC.

Issue	Revisions	Name	Approved
Sept. 05, 12	Updated way of marking	Legendre T.	Dupuis V.
July 21, 05	Error corrected for spacer's material	Legendre T.	Lahoreau C.
June 10, 04	NONENVIRONMENTAL WAS ENVIRONMENTAL	Macari JP.	Mondot JC.
May 03, 04	COPPER ALLOY WAS BRASS PER QQ-B-626	Legendre T.	Macari JP.