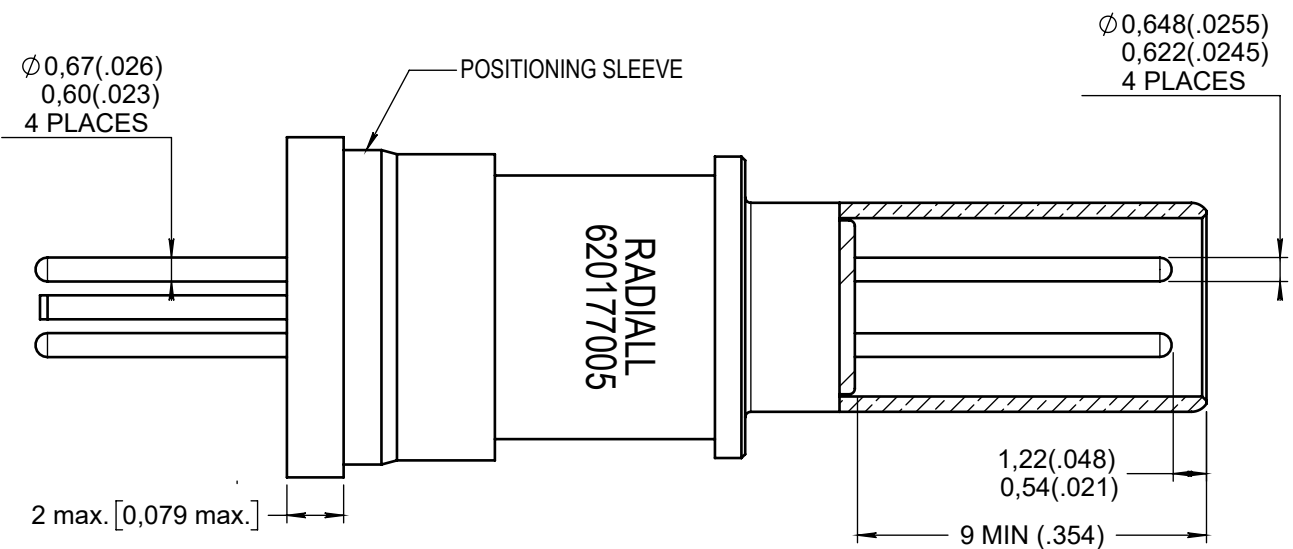
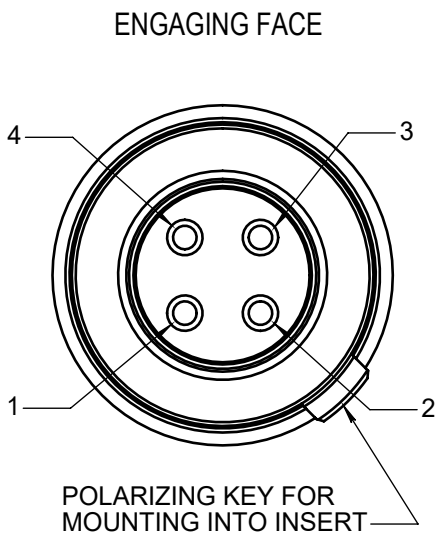


Series
NSX

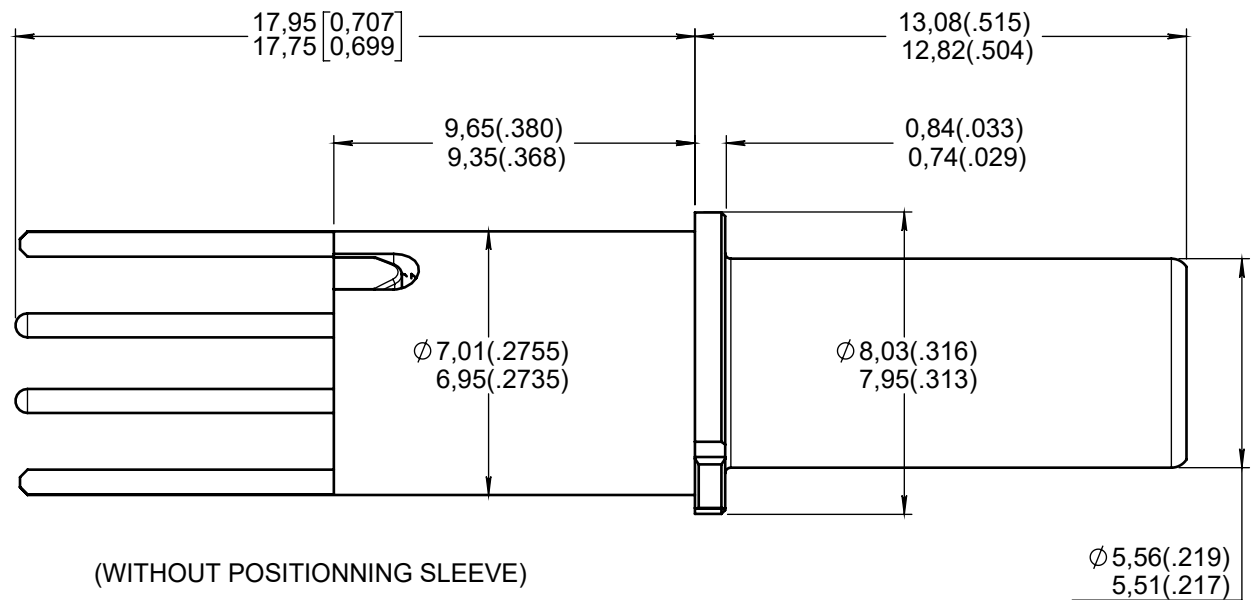
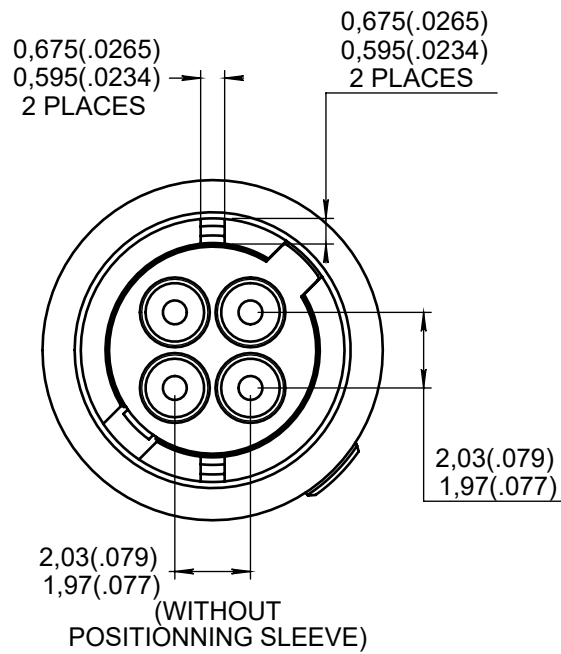
SIZE 8 REAR RELEASE, REAR REMOVABLE
PC POST PIN QUADRAX CONTACT

Issue:
18 NOV. 19

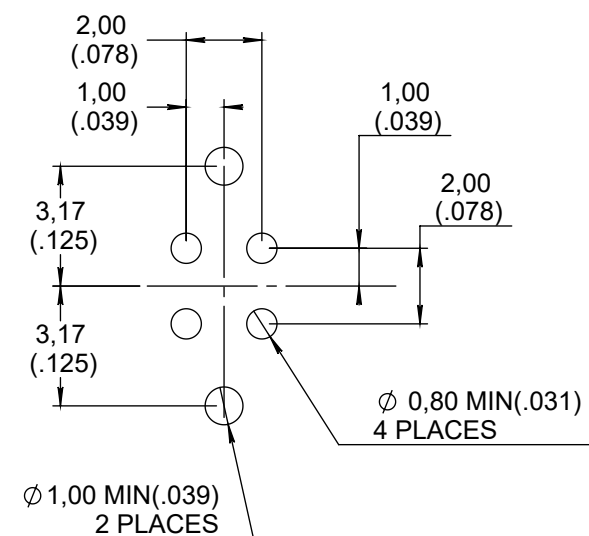
Page
1/1



REAR
FACE



RECOMMENDED PC DRILL PATTERN

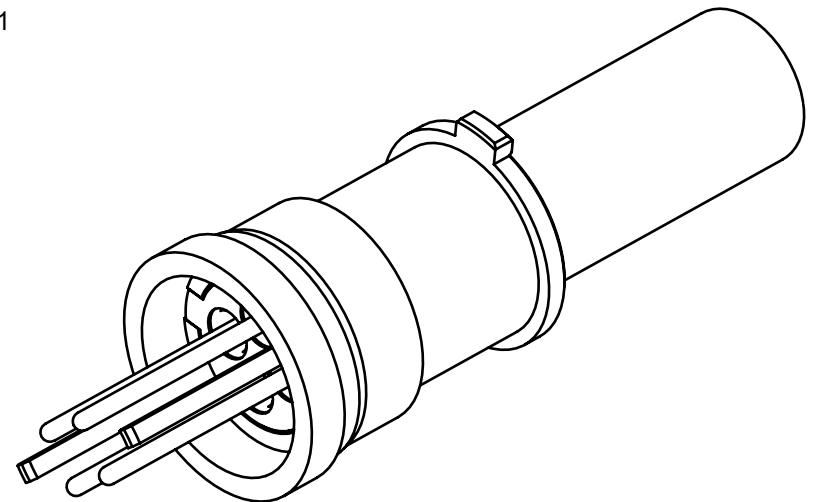


MATERIAL AND FINISH:

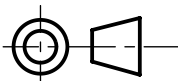
- OUTER AND CENTER CONTACTS: COPPER ALLOY,
PLATING .00005 INCH OF GOLD PER MIL-DTL-45024 OVER NICKEL PER AMS 2403
- INSULATOR: PTFE PER ASTM-D-1710 OR EQUIVALENT

EXTRACTION TOOL:

- M81969/28.03 RADIALL 282549001



DIMENSIONS : mm (inch are given for information only)



Estimated weight : 3,2 g

CREATION

PEN:

NOM: RESSAULT

DATE: 18 NOV. 19

APPR.: BRANJONNEAU

Issue	Revisions	Name	Approved

620177005EN

RADIALL PROPRIETARY INFORMATION

This document contains proprietary information and such information shall not be disclosed to any third party for any purpose whatsoever or used for manufacturing purposes without prior written agreement from RADIALL. This information is given as an indication. In the continual goal to improve our products, we reserve the right to make any modifications judged necessary.

4112_9311