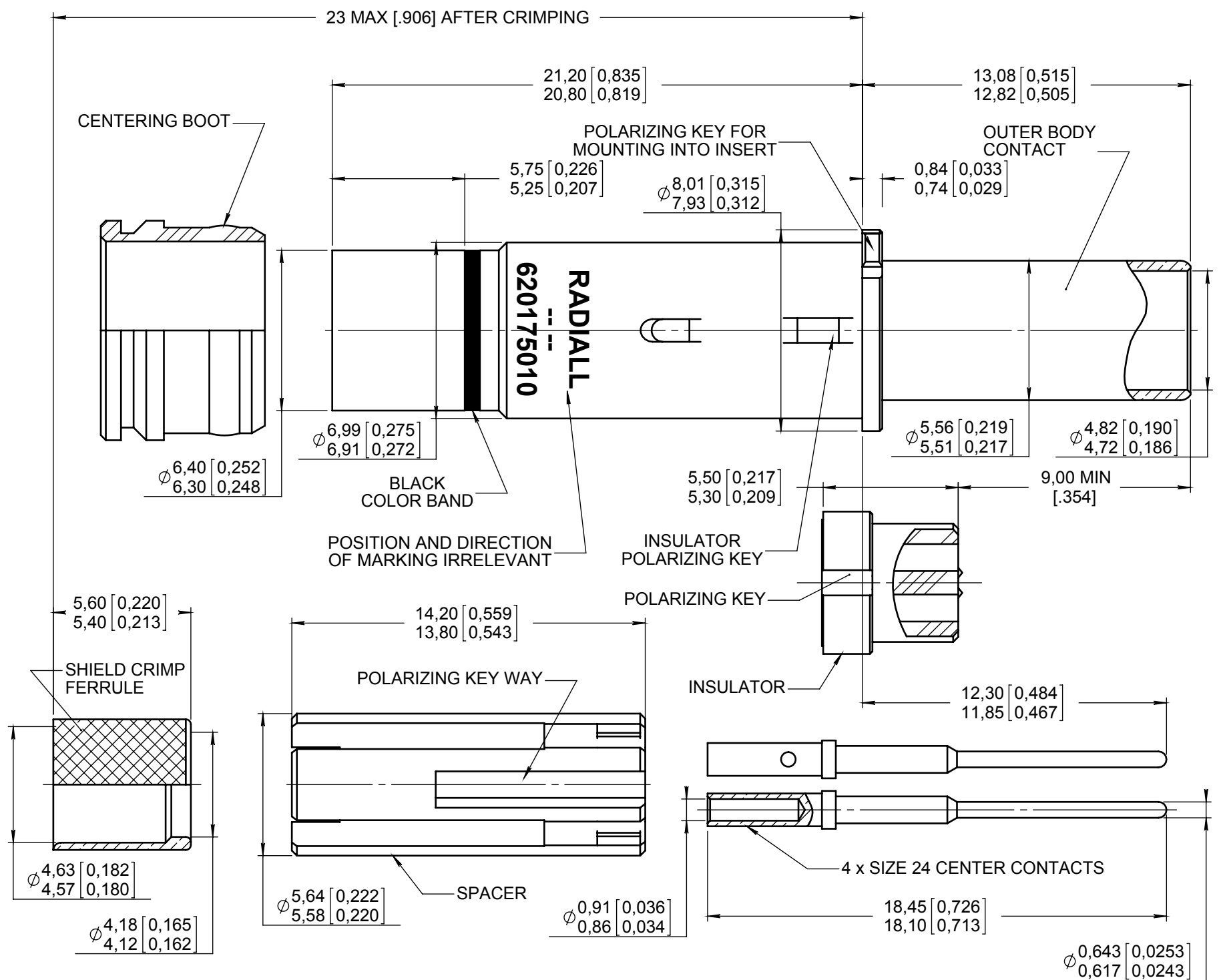


Series
NSX

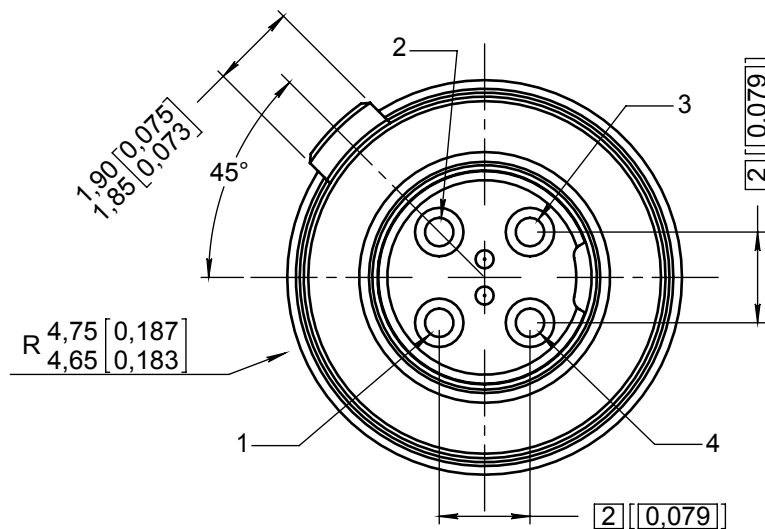
SIZE 8 QUADRAX PIN CONTACT

Issue:
May 11, 2020

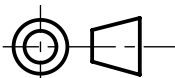
Page
1/2



ENGAGING FACE



DIMENSIONS : mm (inch are given for information only)



Estimated weight : 4,50 g

CREATION PEN: M000004358B NOM: B VAN DEN DATE: April 17, 2001 APPR.: /	May 11, 20	Dimensions updated	Ramos D.	Legendre T.
	Jan. 06, 16	Date code added on the outer body marking	PECAULT B.	Legendre T.
	July 09, 15	Added PIC E50424 cable	PECAULT B.	Legendre T.
	Apr. 13, 15	Added cable CEEW0005-2PF870, page 2 and table 1	Zuniga F.	Ramos D.
	Mar. 09, 15	Added MICT0400005 for ABS1503KL24 cable	Branjonneau V.	Legendre T.
	Sept. 05, 12	Updated way of marking	Legendre T.	Lahoreau C.
	June 09, 09	Added Thermax cable	Macari JP.	Legendre T.
	Issue	Revisions	Name	Approved

620175010EN

RADIALL PROPRIETARY INFORMATION

This document contains proprietary information and such information shall not be disclosed to any third party for any purpose whatsoever or used for manufacturing purposes without prior written agreement from RADIALL. This information is given as an indication. In the continual goal to improve our products, we reserve the right to make any modifications judged necessary.

4112_9311

MATERIAL:

- OUTER, CENTER CONTACTS AND FERRULE: COPPER ALLOY
- INSULATOR AND CENTERING BOOT : PTFE PER ASTM-D-1710 OR EQUIVALENT
- SPACER : THERMOPLASTIC PER ASTM D 5205

FINISH:

- ALL METAL PARTS:
PLATING .00005 INCH OF GOLD PER MIL-G-45204 TYPE I OR II
GRADE C OR D CLASS 1 OVER NICKEL PER QQ-N-290

EXTRACTION TOOL:

- M81969/28.03 (RADIALL: 282 549 001) OR M81969/14-06

TABLE 1	
CABLES	WIRING INSTRUCTION
ABS1503KL24	MICT0400005
ABS1503KD	RP55178
ABS0972	
GSC01-81869-01	
THERMAX T956-4T200	
CEEW0005-2PF870	
PIC E50424	

This document contains proprietary information and such information shall not be disclosed to any third party for any purpose whatsoever or used for manufacturing purposes without prior written agreement from RADIALL. This information is given as an indication. In the continual goal to improve our products, we reserve the right to make any modifications judged necessary.

4112_9311