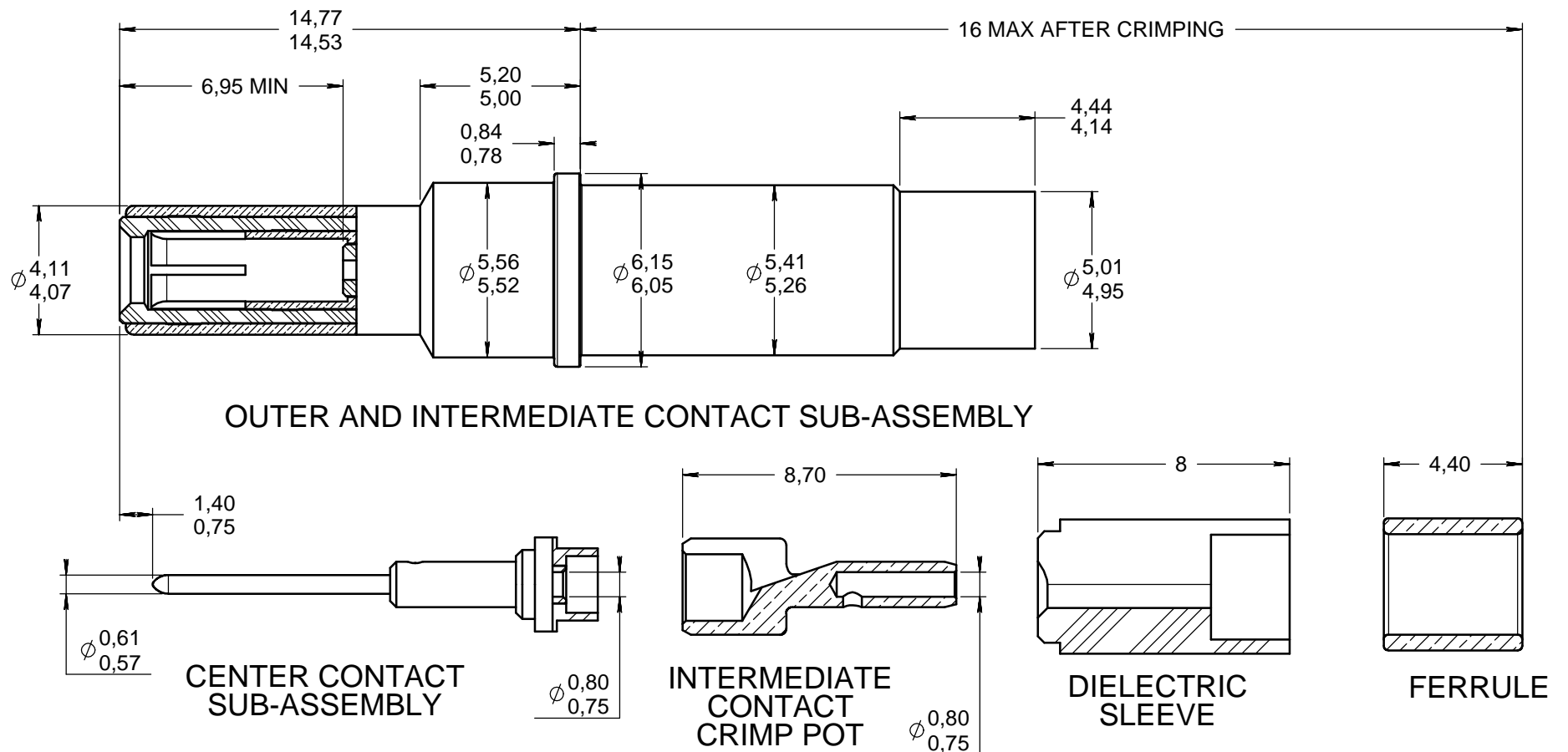


Series
NSX

SIZE 10 CRIMP PIN TRIAX CONTACT
ABS1682 M 10 A
FOR EN3375-006 AND ASNE0290XM24 CABLES

Issue:
Oct. 13, 2011

Page
1/1



MATERIAL:

- OUTER, CENTER CONTACT AND INTERMEDIATE CRIMP POT : LEADED NICKEL COPPER (C97)
- INTERMEDIATE CONTACT: BERYLLIUM COPPER PER ASTM B 196
- FERRULE : BRASS PER ASTM B 16 OR ASTM B 453 OR EN 12164
- DIELECTRIC : PTFE PER ASTM D 1710 OR EQUIVALENT

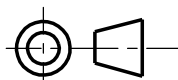
FINISH:

- ALL METAL PARTS: .00005 INCH GOLD PER SAE AMS-2422 OVER NICKEL PER SAE AMS-QQ-N-290

TOOLING AND WIRING INSTRUCTIONS SEE MICT02 00003

EXTRACTION TOOL: M81969/14-05

DIMENSIONS : mm (inch are given for information only)



This information is given as an indication. In the continual goal to improve our products, we reserve the right to make any modifications judged necessary.

4112_9311

CREATION PEN: M080004015A NOM: MACARI DATE: April 07, 2008 APPR.: LEGENDRE	Oct. 13, 11	Added dimension of crimping area	Legendre	Dupuis
	Nov. 08, 10	Added ABS1682 M 10 A specification	Legendre	Brochet
	Aug. 27, 10	Deleted Qualification in progress & Preliminary	Legendre	Brochet
	Mar. 16, 09	Added Preliminary & Qualification in progress	Macari	Legendre
	Dec 12, 08	Added wiring instructions MICT02 00003	Macari	Legendre
	Dec 08, 08	Added .00005 inch of gold	Macari	Legendre
	May 13, 08	P/N 620 167 001 was RP61890-500	Macari	Legendre
Issue	Revisions	Name	Approved	