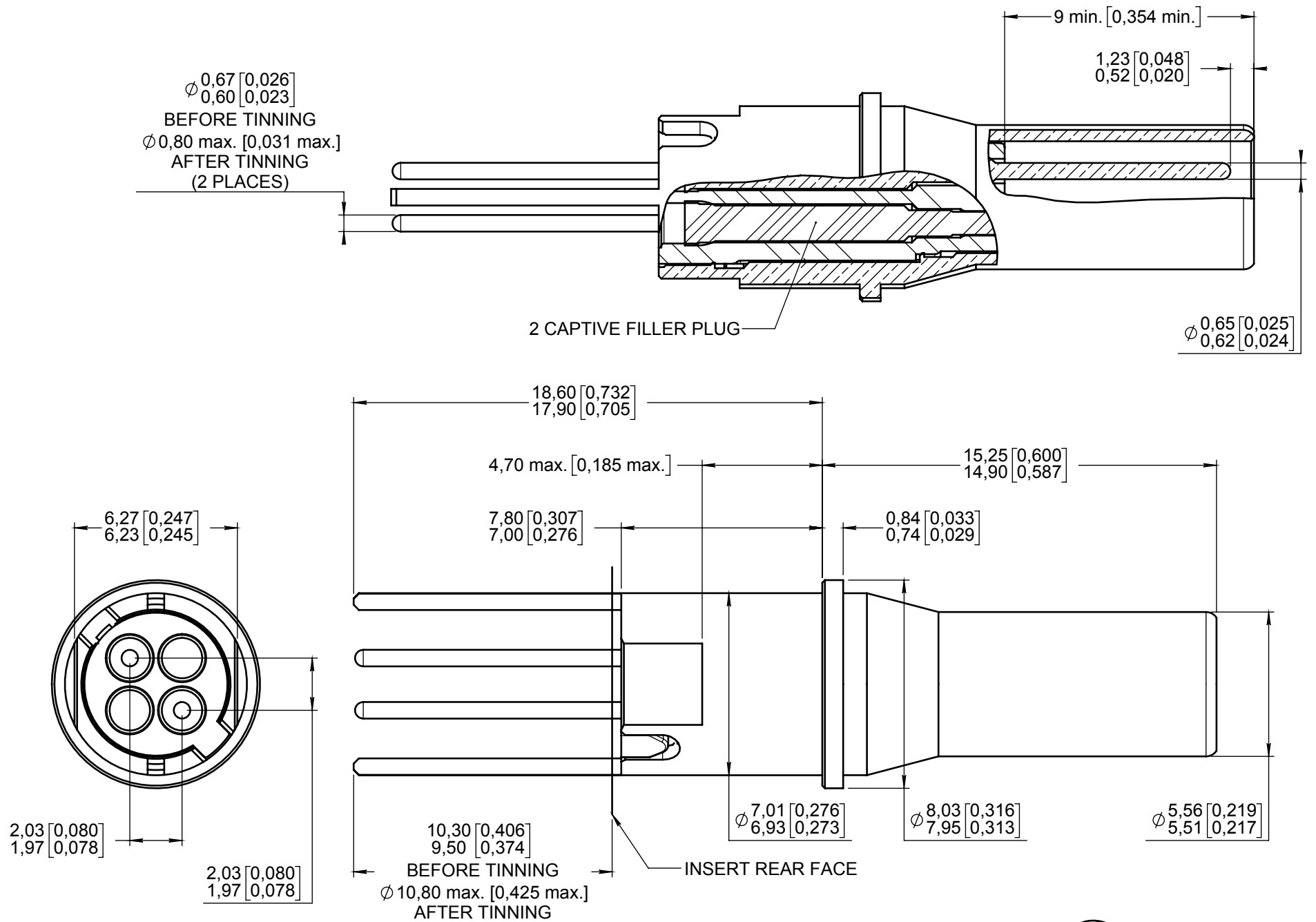


Series
NSX

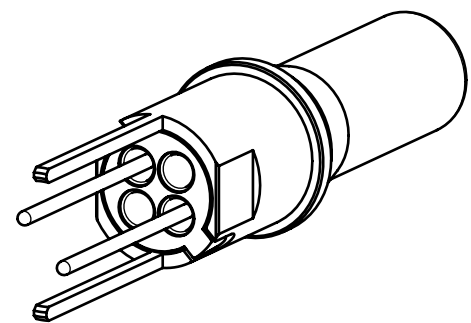
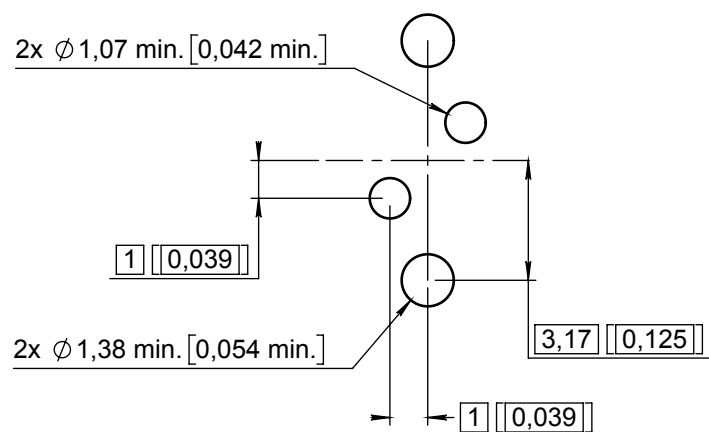
SIZE 8 FRONT RELEASE, FRONT REMOVABLE
PC POST PIN TWINAX CONTACT

Issue:
May 20, 2020

Page
1/1



RECOMMENDED PC DRILL PATTERN (FRONT VIEW)

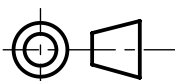


MATERIAL :
 CENTER CONTACT : LEADED NICKEL COPPER
 OUTER CONTACT : BRASS PER ASTM B 16 OR ASTM B 453 OR EN 12164
 DIELECTRIC : PTFE PER ASTM D 1710 OR EQUIVALENT

FINISH :
 ALL METAL PARTS : PLATING .00005 INCH OF GOLD PER MIL-DTL-45204
 OVER NICKEL PER AMS 2403
 PWD SOLDER CONTACT AREA WHICH IS TIN LEADED PER QQ-S-571

EXTRACTION TOOL :
 RADIALL P/N 282 549 009

DIMENSIONS : mm (inch are given for information only)



Estimated weight : 2.78 g

CREATION PEN: 20188565-20F NOM: RAMOS D. DATE: May 20, 2020 APPR.: LEGENDRE T.				
	Issue	Revisions	Name	Approved

620166014EN

RADIALL PROPRIETARY INFORMATION

This document contains proprietary information and such information shall not be disclosed to any third party for any purpose whatsoever or used for manufacturing purposes without prior written agreement from RADIALL. This information is given as an indication. In the continual goal to improve our products, we reserve the right to make any modifications judged necessary.

4112_9311