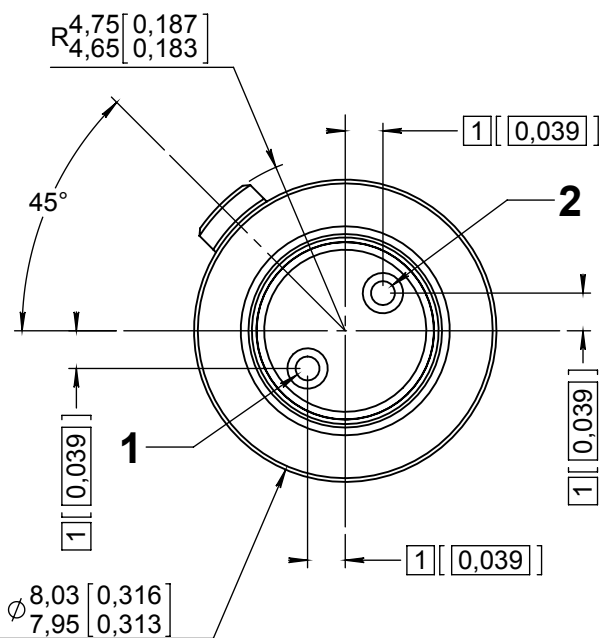
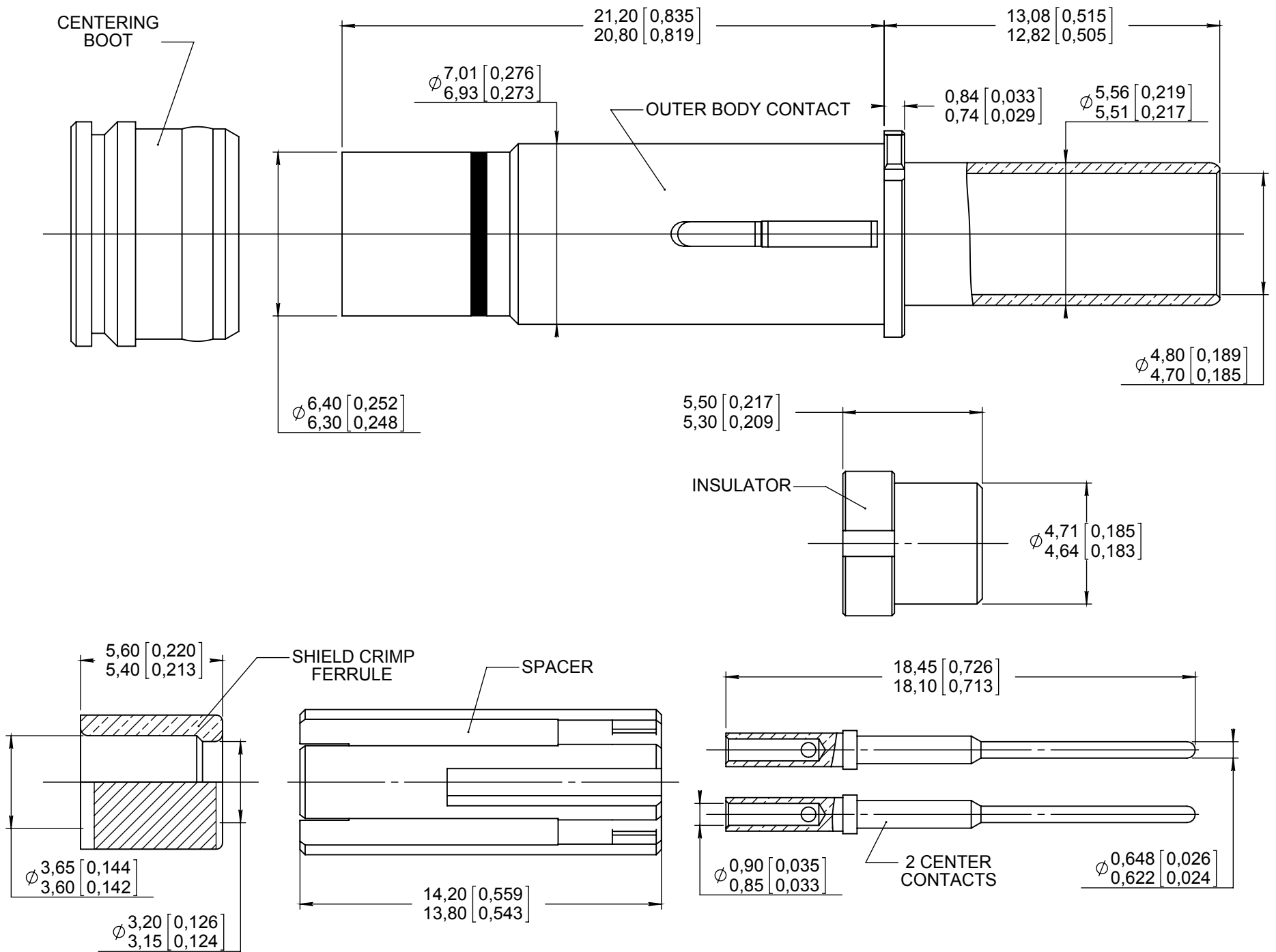


Series
NSX

NON ENVIRONMENTAL SIZE 8 TWINAX PIN CONTACT

Issue:
Jan. 30, 2015

Page
1/1



MATERIAL:

- OUTER, CENTER CONTACTS AND FERRULE: COPPER ALLOY
- INSULATOR AND CENTERING BOOT : PTFE PER ASTM-D-1710 OR EQUIVALENT
- SPACER : THERMOPLASTIC PER ASTM D 5205

FINISH:

- ALL METAL PARTS:
PLATING .00005 INCH OF GOLD PER MIL-G-45204 TYPE I OR II
GRADE C OR D CLASS 1 OVER NICKEL PER QQ-N-290

EXTRACTION TOOL:

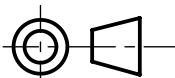
- M81969/28.03 (RADIALL: 282 549 001) OR M81969/14-06

WIRING INSTRUCTIONS: SEE RP56870

CABLES:

- NEXANS (FILOTEX) P/N: ABS 0386 WF / ET96897.
- DRAKA-FILECA P/N: F 2703-37.
- RAYCHEM P/N: 1726A1424.

DIMENSIONS : mm (inch are given for information only)



Estimated weight : 4.3 g

This document contains proprietary information and such information shall not be disclosed to any third party for any purpose whatsoever or used for manufacturing purposes without prior written agreement from RADIALL. This information is given as an indication. In the continual goal to improve our products, we reserve the right to make any modifications judged necessary.

4112_9311

CREATION				
PEN: M03 0104 259B				
NOM: Perrin H.	Jan. 29, 2015	Add pin numbers (1 & 2) on engaging face	Zuniga F.	Ramos D.
DATE: May 04,	Mar. 10, 2009	Raychem and Nexans cables added	Malty	Pessard
APPR.: MVDM	Jul. 20, 2004	Added centering boot & cable P/N	Perrin H.	L. C.
	Issue	Revisions	Name	Approved

620165010EN

RADIALL PROPRIETARY INFORMATION