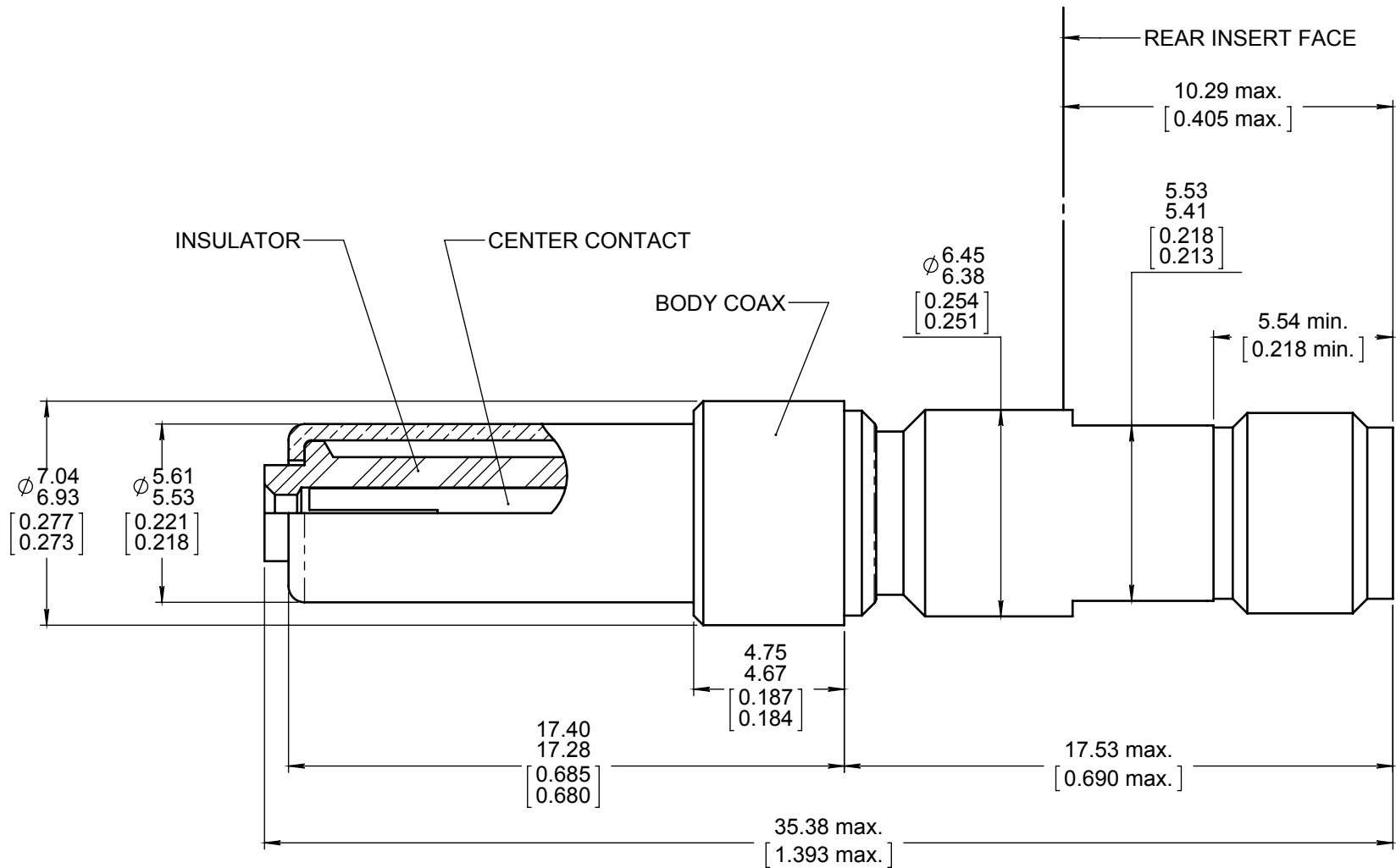
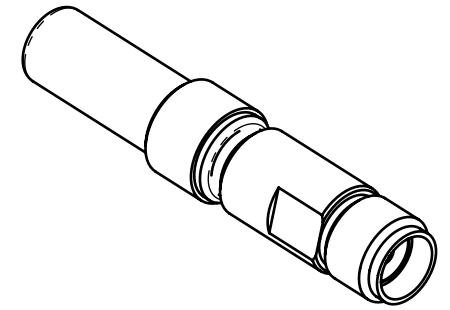


Series
NSX

SIZE 5 PIN COAX CONTACT WITH SMA TERMINATION
SPL ECS

Issue:
Oct. 09, 2014

Page
1/1



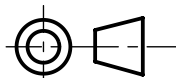
MATERIAL :

- BODY COAX : BERYLLIUM COPPER PER ASTM B 196 AND BRASS PER ASTM B 16 OR ASTM B 453 OR EN 12164
- CENTER CONTACT : BERYLLIUM COPPER PER ASTM B 196
- INSULATOR : PTFE PER ASTM D 1710 OR EQUIVALENT

FINISH :

- BODY COAX AND CENTER CONTACT : PLATING .00005 INCH OF GOLD PER MIL-DTL-45204 OVER NICKEL PER AMS 2403

DIMENSIONS : mm (inch are given for information only)



Estimated weight : 5.06 g

CREATION				
PEN: M970400008A				
NOM: PECHEUX K.				
DATE: Apr. 10, 1997	Oct. 10, 14	Redraw	Ramos D.	Zuniga F.
APPR.: /	Jun. 14, 13	Updated dimensions	Ramos D.	Dupuis V.
	Issue	Revisions	Name	Approved

This document contains proprietary information and such information shall not be disclosed to any third party for any purpose whatsoever or used for manufacturing purposes without prior written agreement from RADIALL. This information is given as an indication. In the continual goal to improve our products, we reserve the right to make any modifications judged necessary.

4112_9311