

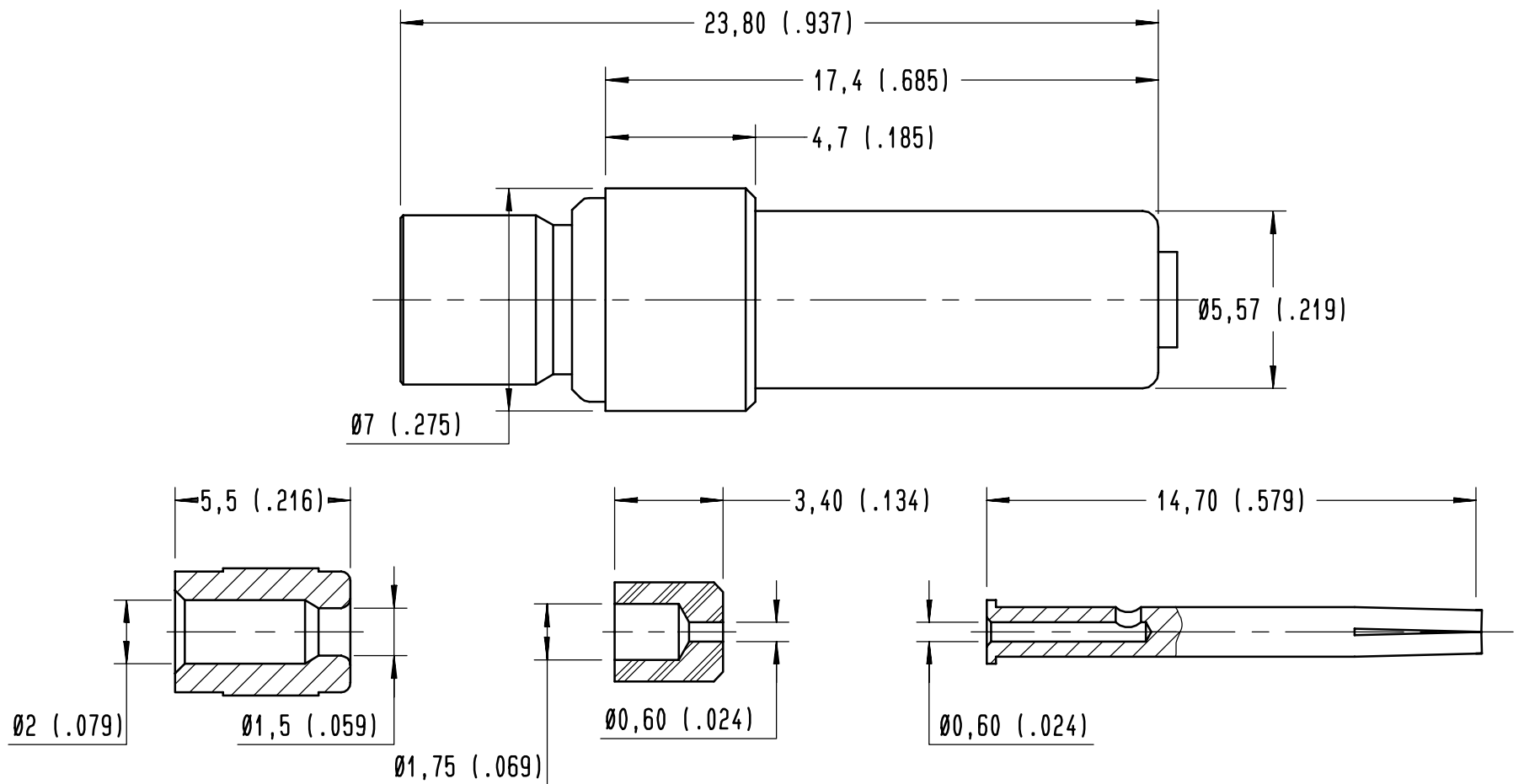


Series
NSX

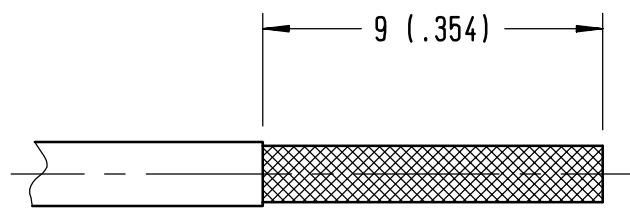
SIZE 5 COAXIAL PIN CONTACT
FOR RG178 AND KX21 CABLES

Issue:
22 MAY 2003

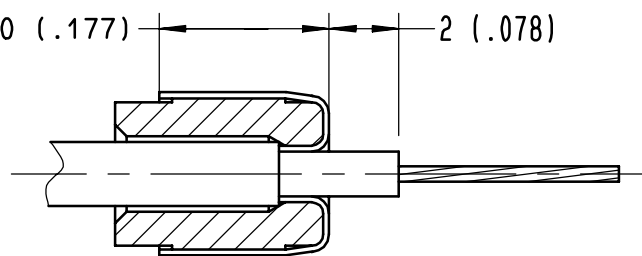
Page
1 / 2



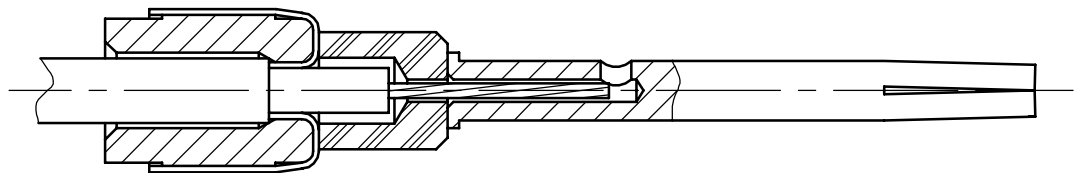
WIRING INSTRUCTIONS



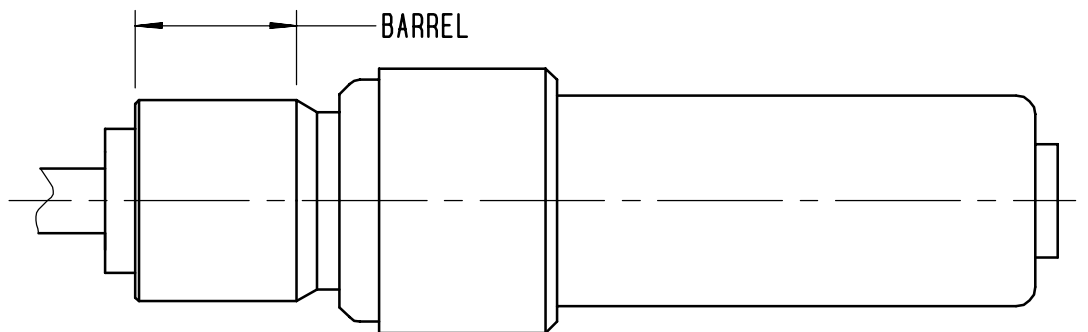
CABLE STRIPPING



SLIDE THE FERRULE ON THE BRAID UNTILL IT BUTTS UP AGAINST THE JACKET.
COMB THE BRAID, FOLD BRAID BACK OVER THE FERRULE THEN CUT IT AT .177
STRIP THE INNER CONDUCTOR .102 AWAY FROM BRAID



SLIDE INSULATOR ON THE DIELECTRIC AND CONTACT ON THE INNER CONDUCTOR



INSERT THE PARTS INTO BODY, ENSURING THEY ARE PUSHED HOME, THEN CRIMP BARREL

4112-9610

| | | | | |
|-----------------|-----------|----------------------------|----------|----------|
| CREATION | | | | |
| PEN: . | | | | |
| NOM: MACARI | 22 MAY 03 | UPDATED DESIGN REQUIREMENT | DUPUIS | LAHOREAU |
| DATE: 22 FEB 91 | 15 AVR 02 | ADDED MATERIAL, PAGE 2/2 | COUTHON | DUPUIS |
| APPR.: . | 09 DEC 96 | REDRAWN | VALGRESY | BALDYROU |
| | Issue | Revisions | Name | Approved |



MATERIAL :

OUTER CONTACT : BRASS PER QQ-B-626
CENTER CONTACT : BERYLLIUM COPPER PER ASTM-B-196
FERRULE : BRASS PER QQ-B-626
DIELECTRIC : PTFE PER ASTM-D-1710 OR EQUIVALENT

FINISH :

ALL METAL PARTS: GOLD PER MIL-G-45204 TYPE I OR II , GRADE C OR D, CLASS 1 OVER NICKEL PER QQ-N-290

DESIGN REQUIREMENT :

TEMPERATURE RANGE : -65°C +125°C
IMPEDANCE : 50Ω NOMINAL
RATED VOLTAGE AT SEA LEVEL : 325 V RMS AT SEA LEVEL
DIELECTRIC WITHSTANDING VOLTAGE : 750V RMS AT SEA LEVEL
FREQUENCY RANGE : 0 TO 500MHZ
VSWR : 1.30/1

TOOLING

INNER CONDUCTOR:
CRIMPING TOOL:M22520/2-01 (RADIAL 282281)
SELECTOR ON 6
POSITIONNER:K345 (RADIAL 282550)
OUTER CONDUCTOR:
CRIMPING TOOL:M22520/5-01 (RADIAL 282293)
DIE:M22520/5_05 (RADIAL 282246) HEX.B (4,5 (.177) /FLATS)

EXTRACTION TOOL:M81969/28-01(RADIAL 282946)

This information is given as an indication. In the continual goal to improve our products, we reserve the right to make any modifications judged necessary.

4113_9306

A620123