
MATERIAL :

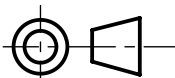
- OUTER CONTACT AND FERRULES : BRASS PER ASTM B 16 OR ASTM B 453 OR EN 12164
- CENTER CONTACT : BERYLLIUM COPPER PER ASTM B 196
- INSULATORS : PTFE PER ASTM D 1710 OR EQUIVALENT

FINISH :

- ALL METALIC PARTS : PLATING .00005 INCH OF GOLD PER MIL-DTL-45204 OVER NICKEL PER AMS 2403

DESIGN REQUIREMENTS :

- TEMPERATURE RANGE : -65°C TO +165°C
- IMPEDANCE : 50 OHMS NOMINAL
- RATED VOLTAGE : 325 V RMS AT SEA LEVEL
- FREQUENCY RAGE : 0-500 MHZ VSWR 1.30 : 1
1500-1700 MHZ VSWR 1.50 : 1
- DIELECTRIC WITHSTANDING VOLTAGE : 750 V RMS AT SEA LEVEL

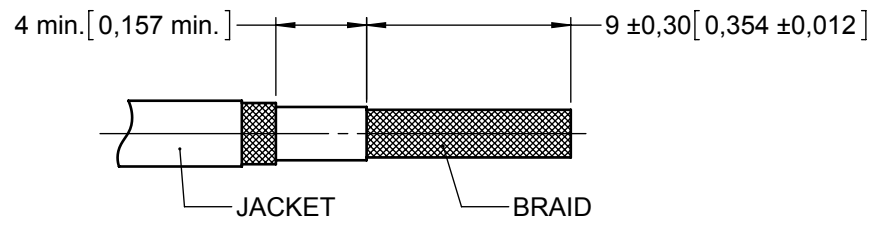
DIMENSIONS : mm (inch are given for information only)


Estimated weight : 3.27 g

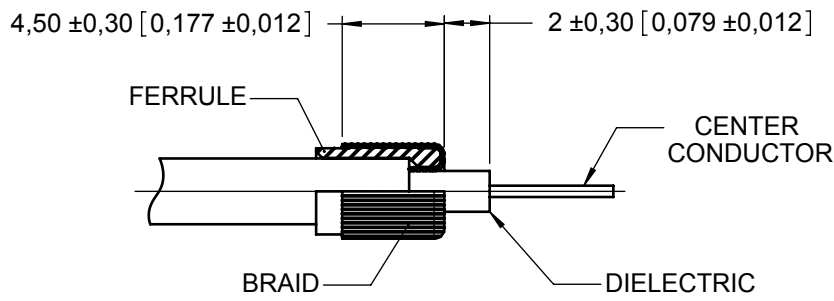
CREATION PEN: NOM: FALETTI DATE: Nov. 27, 1984 APPR.: CARTESSE	Apr. 03, 17	Dimensions and TDS updated	Ramos	Zuniga
	Mar. 10, 05	Added RG179 cable	Legendre	Valgresy
	Feb. 03, 04	Added ARBOR cable	Macari	Lahoreau
	May 22, 03	Updated design requirement	Dupuis	Lahoreau
	Jul. 09, 98	Modified further to typing error material for outer and center contacts	Valgresy	Baldyrou
	Nov. 22, 96	Redrawn	Valgresy	Baldyrou
	Issue	Revisions	Name	Approved

ARBOR TRIAX

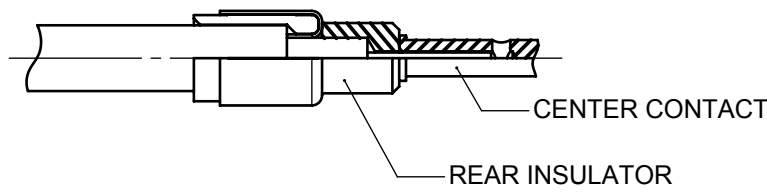
RG174, RG179
AND RG316



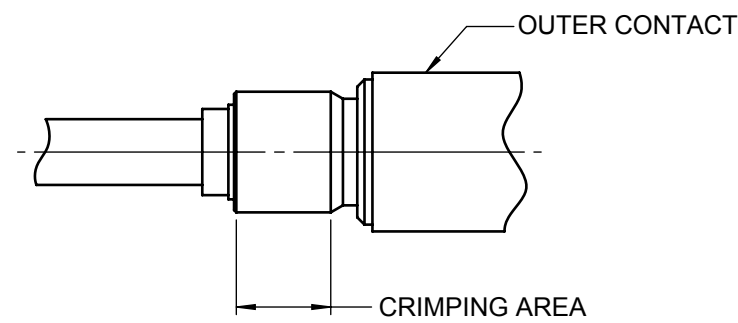
STRIP THE BRAID AT DIMENSION SHOWN.



SLIDE THE FERRULE OVER THE BRAID UNTIL IT BUTTS AGAINST CABLE JACKET.
FOLD BACK BRAID OVER FERRULE.
CUT BRAIDS AT DIMENSION SHOWN.
STRIP CENTER CONDUCTOR AT DIMENSION SHOWN.



SLIDE REAR INSULATOR AND CENTER CONTACT OVER CENTER CONDUCTOR.
CRIMP CENTER CONTACT USING :
CRIMPING TOOL : M22520/2-01 (RADIALL 282281).
SELECTOR : 7 FOR RG174, RG179 AND RG316.
SELECTOR : 5 FOR ARBOR TRIAX.
POSITIONNER : K345 (RADIALL 282550).



INTRODUCE CENTER CONTACT SUB ASSEMBLY INTO OUTER CONTACT AND CRIMP USING :
CRIMPING TOOL : M22520/5-01 (RADIALL 282293).
DIE : M22520/5-05 (RADIALL 282246) HEX. B 4,50 (.177) ON FLATS.

This document contains proprietary information and such information shall not be disclosed to any third party for any purpose whatsoever or used for manufacturing purposes without prior written agreement from RADIALL. This information is given as an indication. In the continual goal to improve our products, we reserve the right to make any modifications judged necessary.

4112_9311