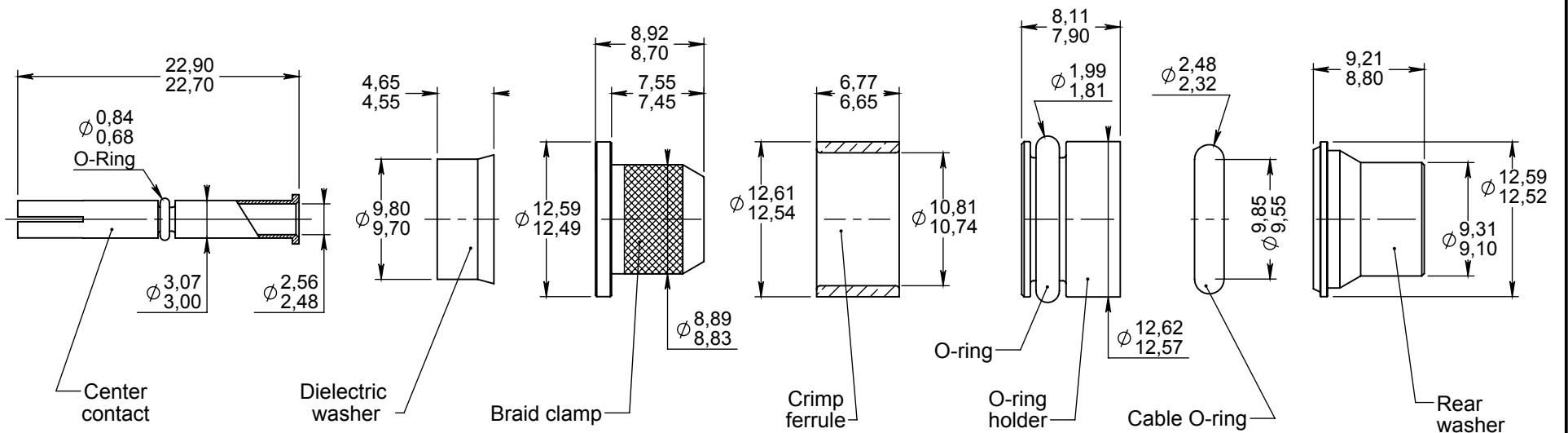
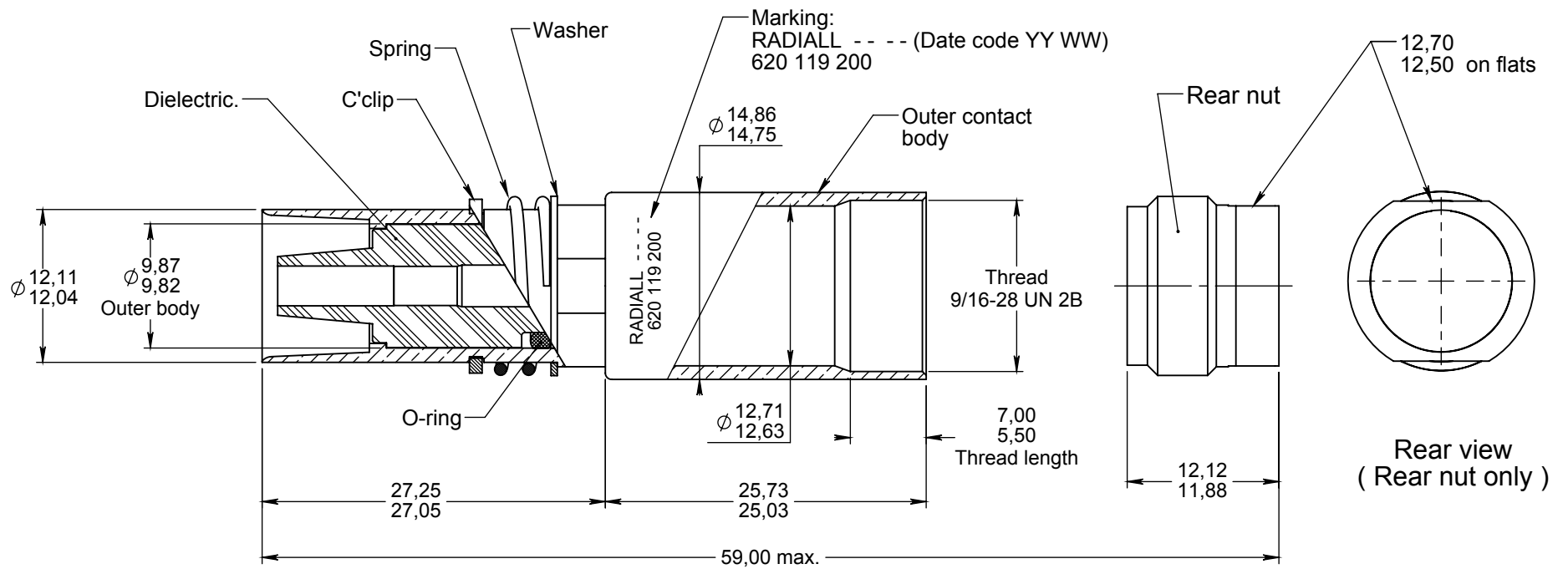


Series
NSX

SIZE 1 SOCKET COAXIAL CONTACT CRIMP TERMINATION
for ALUMINIUM EN4604-009 KW CABLE
E0201-04

Issue:
Oct. 15, 2013

Page
1/1



MATERIAL:

- OUTER CONTACT BODY, REAR NUT, REAR WASHER, O-RING HOLDER, CRIMP FERRULE, BRAID CLAMP : BRASS PER ASTM-B-16 or ASTM B453 or EN12164.
- DIELECTRIC AND DIELECTRIC WASHER : PTFE PER ASTM-D-1710 OR EQUIVALENT
- CENTER CONTACT : BERYLLIUM COPPER PER ASTM-B-196
- SPRING, C'CLIP AND WASHERS : STAINLESS STEEL PER SAE-AMS 5688
- O-RING SEAL : FLUOROSILICONE PER SAE AMS R 25988

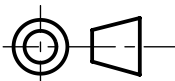
FINISH:

- OUTER CONTACT BODY, REAR NUT, REAR WASHER, O-RING HOLDER, CRIMP FERRULE, BRAID CLAMP : PLATING .00005 INCH OF GOLD PER MIL-G-45204 TYPE I OR II GRADE C OR D CLASS 1 OVER NICKEL QQ-N-290

NOTES:

- WIRING INSTRUCTIONS : MI CT 01 00038
- REAR NUT COUPLING TORQUE: 3,70 ±0,20 N.m max.
- WEIGHT: 37 gr. typ.. - 42 gr. max.

DIMENSIONS : mm (inch are given for information only)



This information is given as an indication. In the continual goal to improve our products, we reserve the right to make any modifications judged necessary.

4112_9311

CREATION	DATE	REVISIONS	NAME	APPROVED
PEN: 1010412	Oct. 15, 2013	Indic. "PRELIMINARY" removed from title box. Min/max added on dim.: Ø12,65- Ø9,85- Ø9,20- Ø12,55- Ø2,40- Ø9,70- Ø12,60- Ø1,90- Ø10,78- Ø12,57- Ø8,85- Ø12,55- Ø9,75- Ø2,50- Ø3,05- Ø0,76- and on lengths 6- 12- 9- 8- 6,70- 8,80- 7,50- 4,60- 22,80. Dim. Ø11,60- Ø2,66 and Ø1,60 x Ø7,15 deleted.	Perrin H.	Pessard M.
NOM: Perrin H.	July 16, 2013	Deleted note : not qualified product	Dupuis V.	Legendre T.
DATE: Dec. 21, 2011	Nov. 26, 2012	Rear nut modification (Hex. shape replaced by 2 flats). E0201-04 was E0201-xx in title	Perrin H.	Raoui R.
APPR.: Raoui R.	July 24, 2012	Note regarding outer contact marking added.	Perrin H.	Raoui R.
	July 20, 2012	Length on contact body added	Perrin H.	Raoui R.
	July 03, 2012	Note regarding weight updated.	Perrin H.	Dupuis V.
	Issue	Revisions	Name	Approved