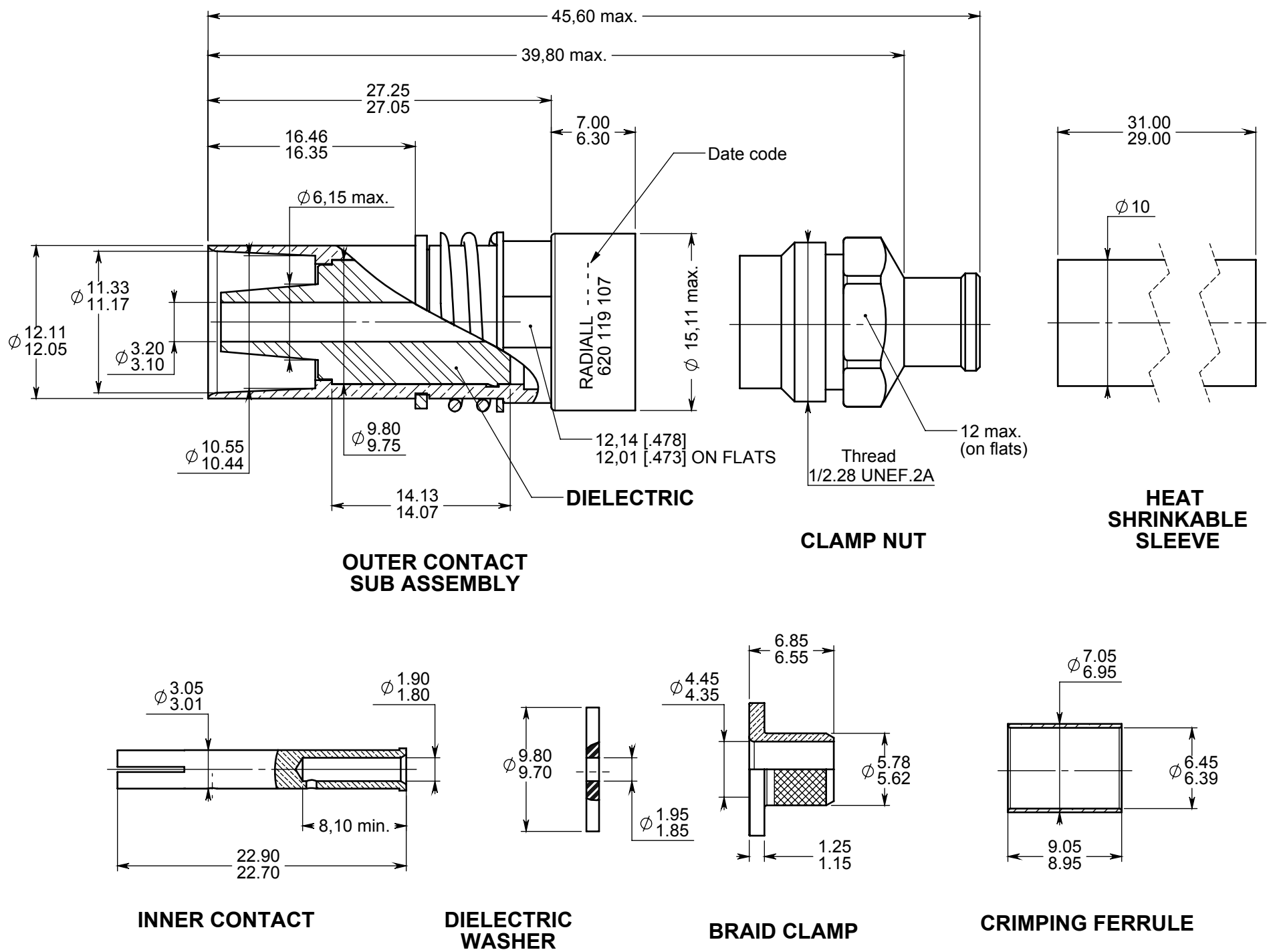


Series NSX	ASNE0201 T.CAS SIZE 1 SOCKET COAX CONTACT FOR EN4604-010 KX CABLE E0201-03	Issue: Mar. 13, 2017	Page 1/1
----------------------	--	-------------------------	--------------------


MATERIAL :

- CLAMP NUT, FERRULE AND BRAID CLAMP : BRASS PER ASTM B 16 OR ASTM B453 OR EN12164.
- OUTER CONTACT AND CENTER CONTACT : BERYLLIUM COPPER PER ASTM B 196.
- INSULATOR : PTFE PER ASTM D 1710 OR EQUIVALENT.
- SPRING, FLAT WASHERS AND C'CLIP : CORROSION RESISTANT MATERIAL.
- HEAT SHRINKABLE SLEEVE: POLYOLEFINE.

FINISH :

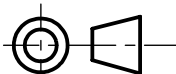
- ALL METALIC PARTS (EXCEPT EXTERNAL WASHERS and SPRING): .00005 INCH OF GOLD PER SAE AMS-2422 OVER NICKEL PER SAE AMS-QQ-N-290.

WIRING INSTRUCTION : MI CT 01 00041
CRIMPING TOOLS :

- OUTER CONTACT : TOOL : M22520/5-01 (RADIALL 282 293)
DIE : M22520/5-07 Hex. A or M22520/5-13 Hex. A
- INNER CONTACT : TOOL : M22520/1-01 (RADIALL 282 291) SELECTOR ON 7
POSITIONNER : M22520/1-13 (RADIALL 282 997) GREEN
- CLAMP NUT COUPLING TORQUE: 1,13 to 1,69 N.m

WEIGHT :

- 21 gr. [0.741 ounces] Typ. - 26 gr. [0.917 ounces] max.

DIMENSIONS : mm (inch are given for information only)


This information is given as an indication. In the continual goal to improve our products, we reserve the right to make any modifications judged necessary.

4112_9311

CREATION	Revisions	Name	Approved
Mar. 13, 2017	Added flat dimension per ARINC 600	Pécault B.	Legendre T.
May 02, 2013	Note "Unqualified product" cancelled (QTR C2012230177)	Perrin H.	Dupuis V.
Aug. 09, 2012	Drawing reviewed: Dielectric shown assembled in outer contact. - Typ. weight added	Perrin H.	Raoui R. Dupuis V.
July 24, 2012	Material of heat shrinkable sleeve added.	Perrin H.	Raoui R.
July 20, 2012	Rear length (7,00/6,30) on outer body added	Perrin H.	Raoui R.
June 01, 2012	Modification of the clamp nut - Heat shrinkable sleeve added. Weight was 25 gr. - Mounting instruct. was MICT0100000	Perrin H.	Dupuis V.
Jan. 18, 2012	AIRBUS P/N updated in title	Perrin H.	Raoui R.
Issue			