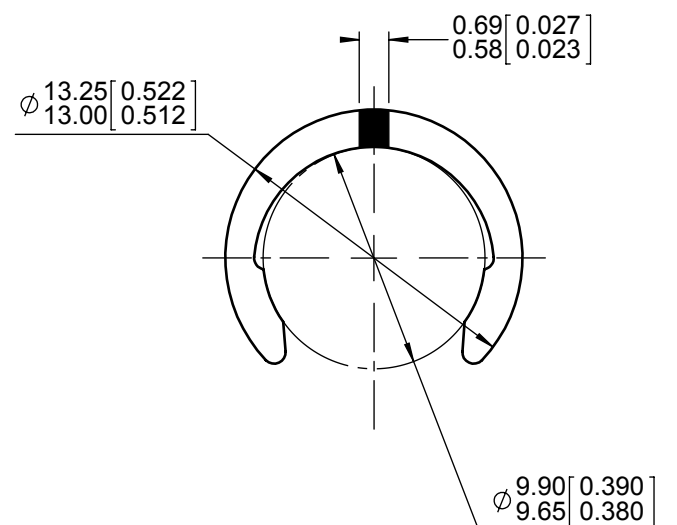
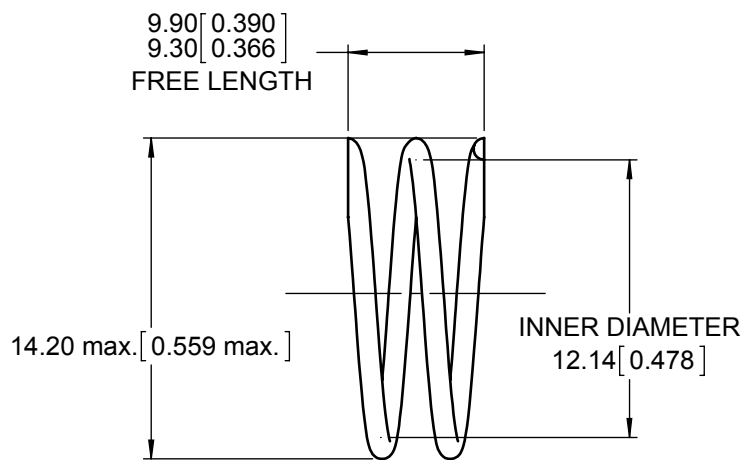
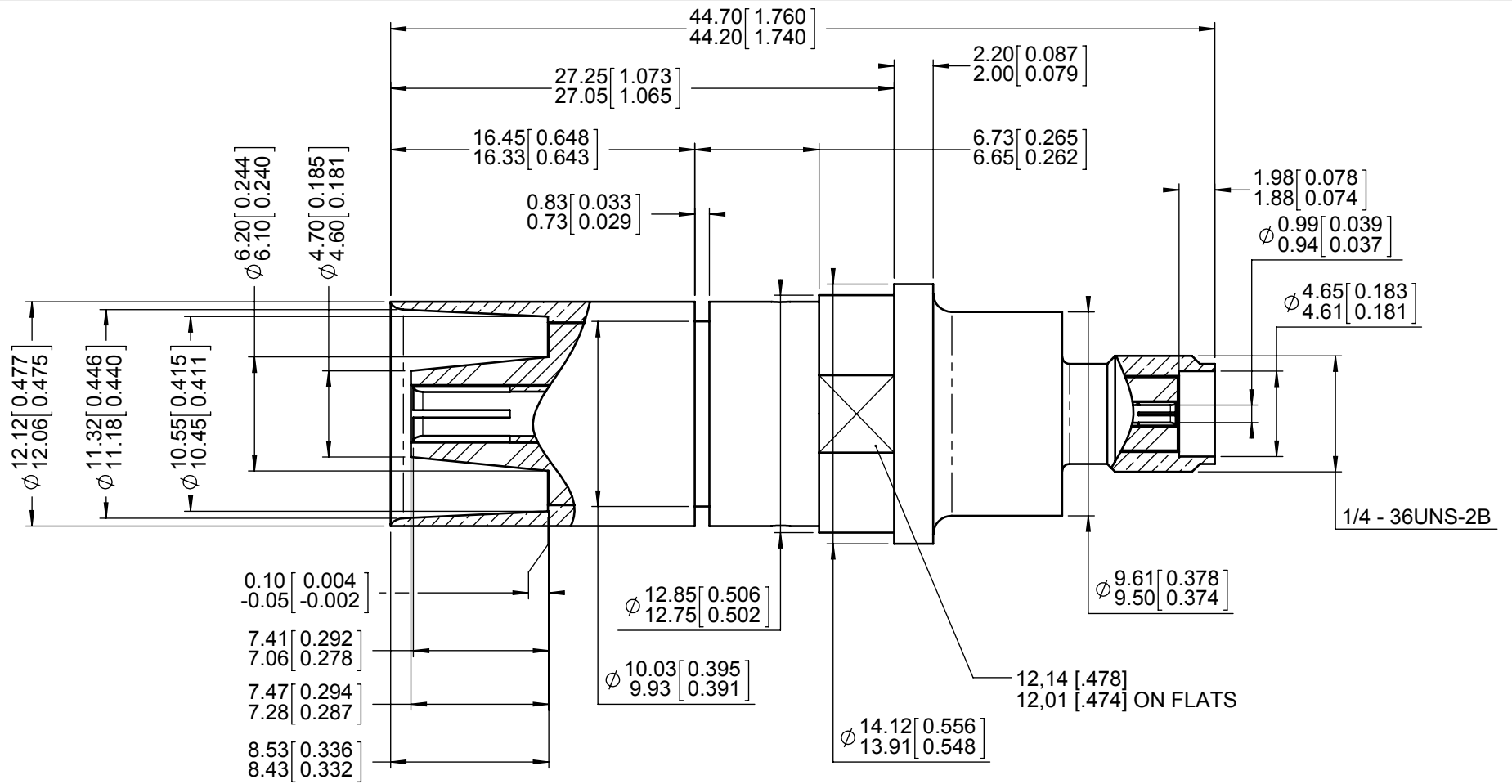


Series  
NSX

T-CAS - SIZE 1 RF COAXIAL SOCKET CONTACT  
WITH SMA TERMINATION

Issue:  
Mar. 13, 2017

Page  
1/1



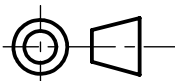
**MATERIAL :**

- OUTER CONTACT AND CENTER CONTACT BODY :BERYLLIUM COPPER PER ASTM-B-196
- DIELECTRIC :PTFE PER ASTM D 1710 OR EQUIVALENT
- SPRING AND C'CLIP :STAINLESS STEEL PER SAE AMS 5688

**FINISH :**

- OUTER CONTACT BODY AND CENTER CONTACT BODY:  
PLATING .00005 INCH OF GOLD PER MIL-DTL-45204 OVER NICKEL PER AMS 2403
- C'CLIP : PASSIVATED
- SPRING : CHROMATE OVER CADMIUM PER SAE AMS-QQ-P-416, TYPE II

**DIMENSIONS : mm (inch are given for information only)**



Estimated weight : 23 g

<p>CREATION</p> <p>PEN: M970400031A</p> <p>NOM: PECHEUX K.</p> <p>DATE: Aug. 19, 1997</p> <p>APPR.:</p>				
	Mar. 13, 17	Updated flats dimension per ARINC 600	Pécault B.	Legendre T.
	Issue	Revisions	Name	Approved

This document contains proprietary information and such information shall not be disclosed to any third party for any purpose whatsoever or used for manufacturing purposes without prior written agreement from RADIALL. This information is given as an indication. In the continual goal to improve our products, we reserve the right to make any modifications judged necessary.

4112\_9311