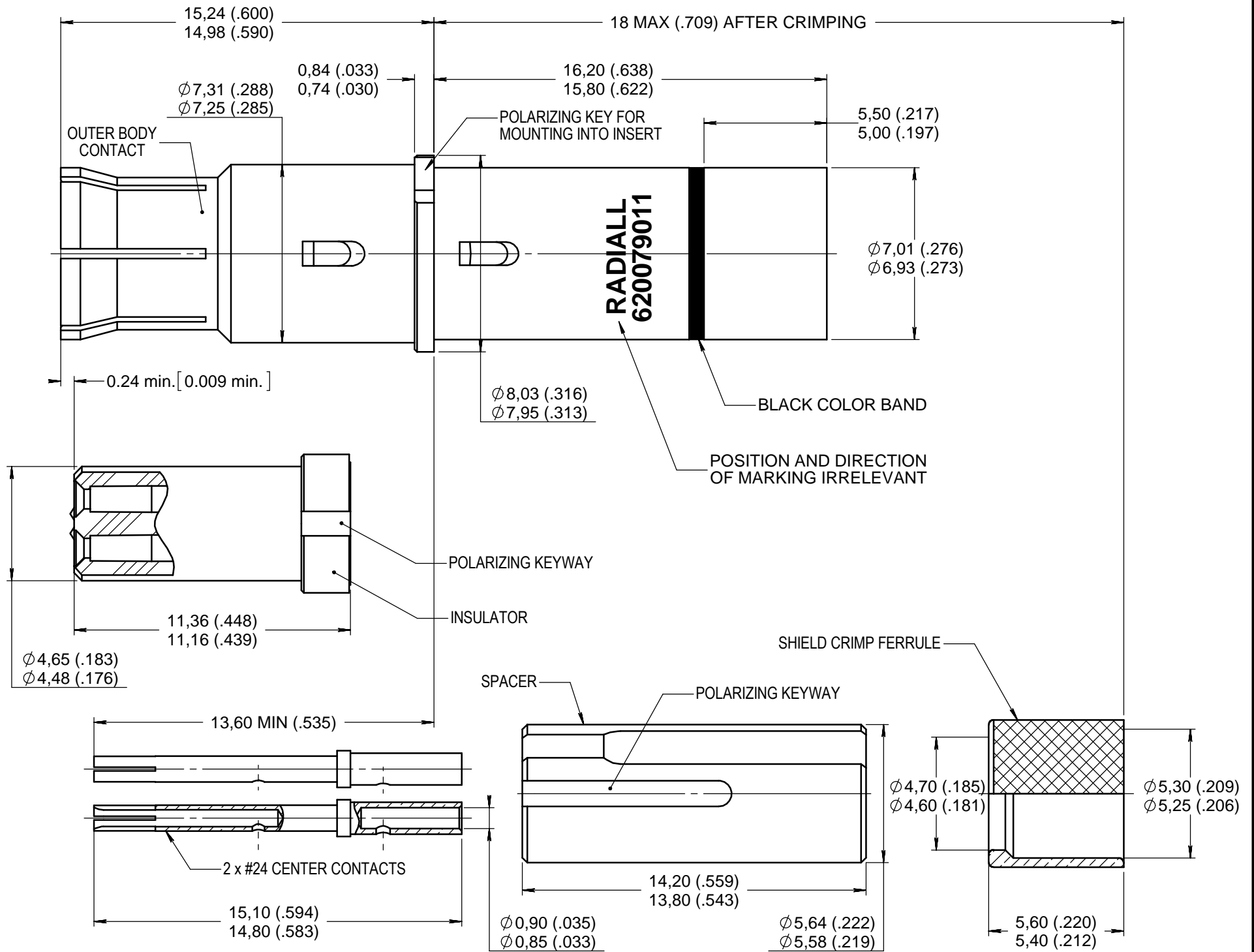


Series
NSX

NONENVIRONMENTAL SIZE 8 QUADRAX SOCKET CONTACT
FOR AXON TWINAX CABLE P506424
Spl THALES

Issue:
Sept. 05, 2012

Page
1/1



MATERIAL:

- OUTER AND CENTER CONTACTS : COPPER ALLOY
- FERRULE : BRASS PER QQ-B-626
- INSULATOR : PTFE PER ASTM-D-1710 OR EQUIVALENT
- SPACER : THERMOPLASTIC PER ASTM D 5205

FINISH:

- ALL METAL PARTS:
PLATING .00005 INCH OF GOLD PER MIL-G-45204 TYPE I OR II
GRADE C OR D CLASS 1 OVER NICKEL PER QQ-N-290

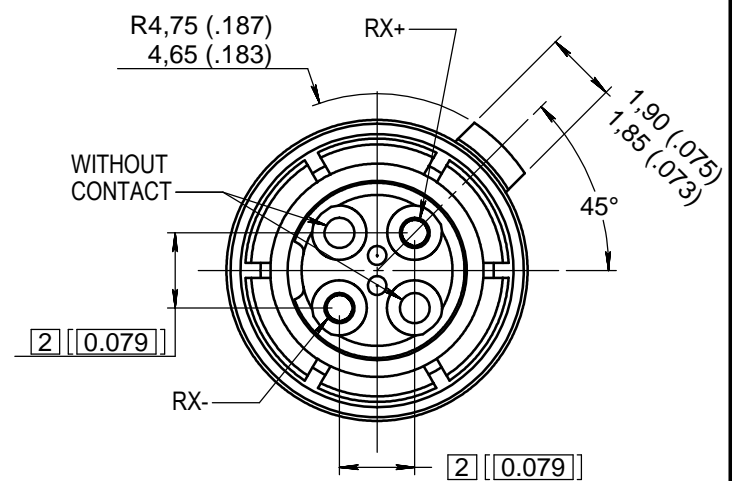
EXTRACTION TOOL:

- M81969/28.03 (RADIALL: 282 549 001) OR M81969/14-06

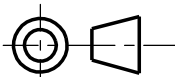
WIRING INSTRUCTIONS: SEE RP57186

BRAIDS RETENTION AFTER CRIMPING: 60N MINI.

ENGAGING FACE



DIMENSIONS : mm (inch are given for information only)



Estimated weight : . g

This document contains proprietary information and such information shall not be disclosed to any third party for any purpose whatsoever or used for manufacturing purposes without prior written agreement from RADIALL. This information is given as an indication in the continual goal to improve our products, we reserve the right to make any modifications judged necessary.

4112_9311

CREATION				
PEN: M040004015B				
NOM: MACARI JP.	Sept. 05, 12	Updated way of marking	Legendre T.	Dupuis V.
DATE: 27 APRIL 04	July 21, 05	Error corrected for spacer's material	Legendre T.	Lahoreau C.
APPR.: MONDOT JC.	Feb. 18, 05	Added braids retention	Macari JP.	Legendre T.
	Issue	Revisions	Name	Approved