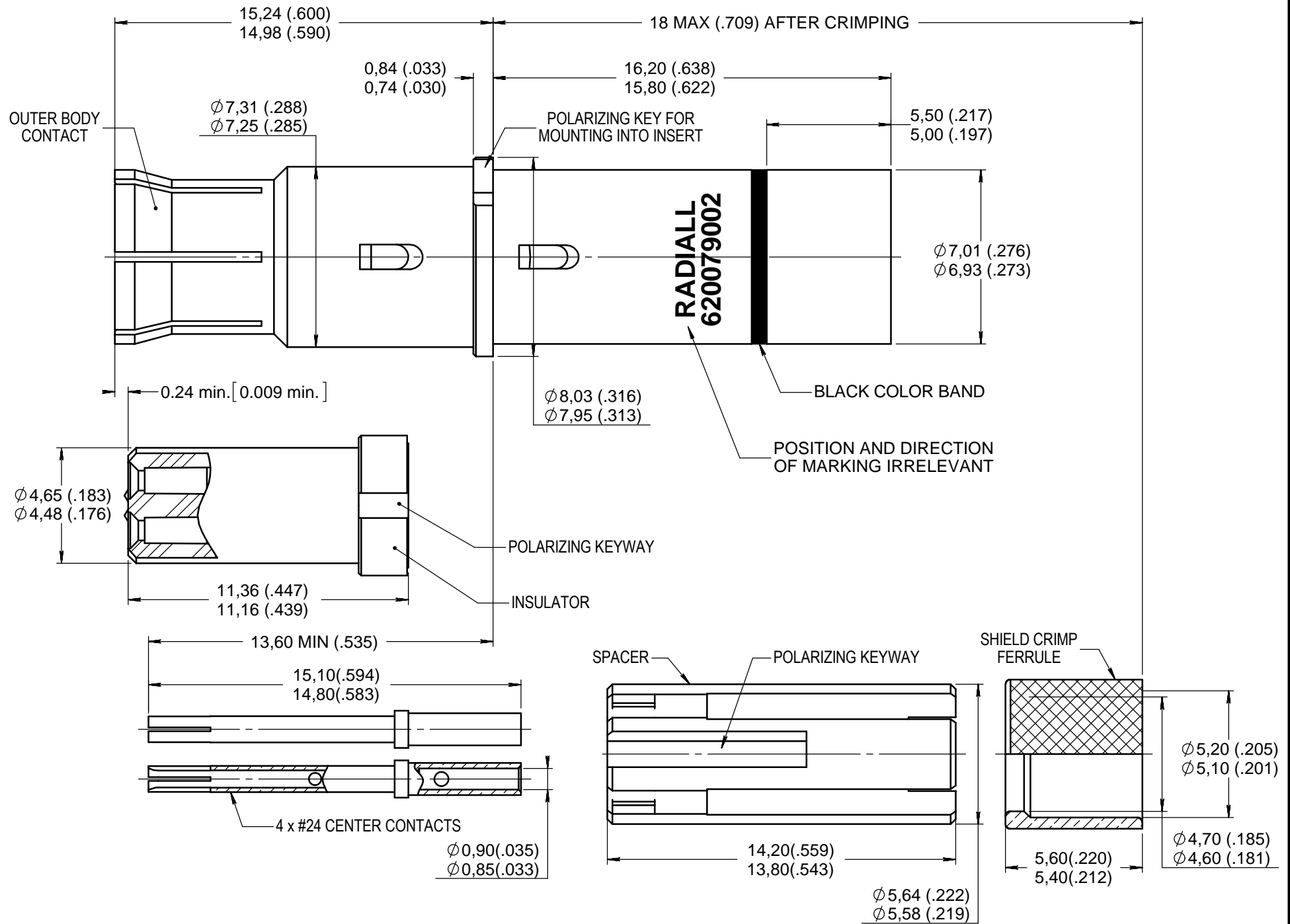


Series
NSX

NONENVIRONMENTAL SIZE 8 QUADRAX SOCKET CONTACT
FOR JSFY02 QUADRAX CABLE

Issue:
Sept. 05, 2012

Page
1/1



MATERIAL:

- OUTER AND CENTER CONTACTS: COPPER ALLOY
- FERRULE: BRASS PER QQ-B-626
- INSULATOR : PTFE PER ASTM-D-1710 OR EQUIVALENT
- SPACER : THERMOPLASTIC PER ASTM D 5205

FINISH:

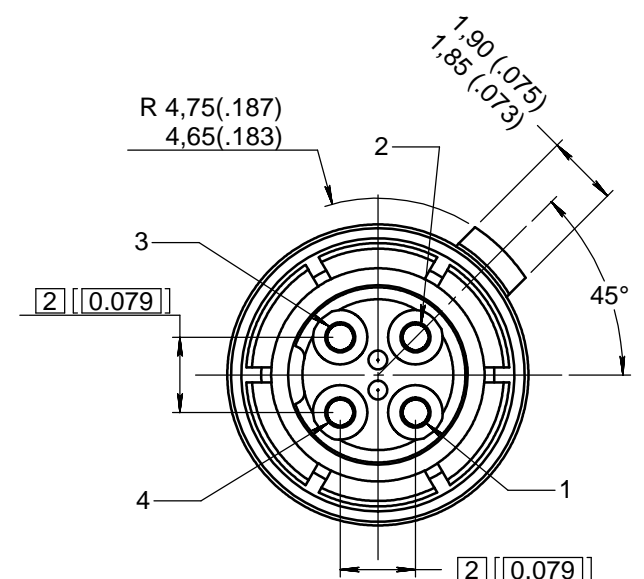
- ALL METAL PARTS:
PLATING .00005 INCH OF GOLD PER MIL-G-45204 TYPE I OR II
GRADE C OR D CLASS 1 OVER NICKEL PER QQ-N-290

EXTRACTION TOOL:

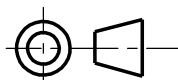
- M81969/28.03 (RADIALL: 282 549 001) OR M81969/14-06

WIRING INSTRUCTIONS: SEE RP57186

ENGAGING FACE



DIMENSIONS : mm (inch are given for information only)



Estimated weight : . g

This document contains proprietary information and such information shall not be disclosed to any third party for any purpose whatsoever or used for manufacturing purposes without prior written agreement from RADIALL. This information is given as an indication, in the continual goal to improve our products, we reserve the right to make any modifications judged necessary.

4112_9311

CREATION				
PEN: M030400075A				
	Sept. 05, 12	Updated way of marking	Legendre T.	Dupuis V.
NOM: MACARI	July 21, 05	Error corrected for spacer's material	Legendre T.	Lahoreau C.
DATE: 26 APRIL 04	June 10, 04	Nonenvironmental was Environmental	Macari JP.	Mondot JC.
APPR.: MONDOT	May 04, 04	Copper alloy was Beryllium copper	Legendre T.	Macari JP.
	Issue	Revisions	Name	Approved