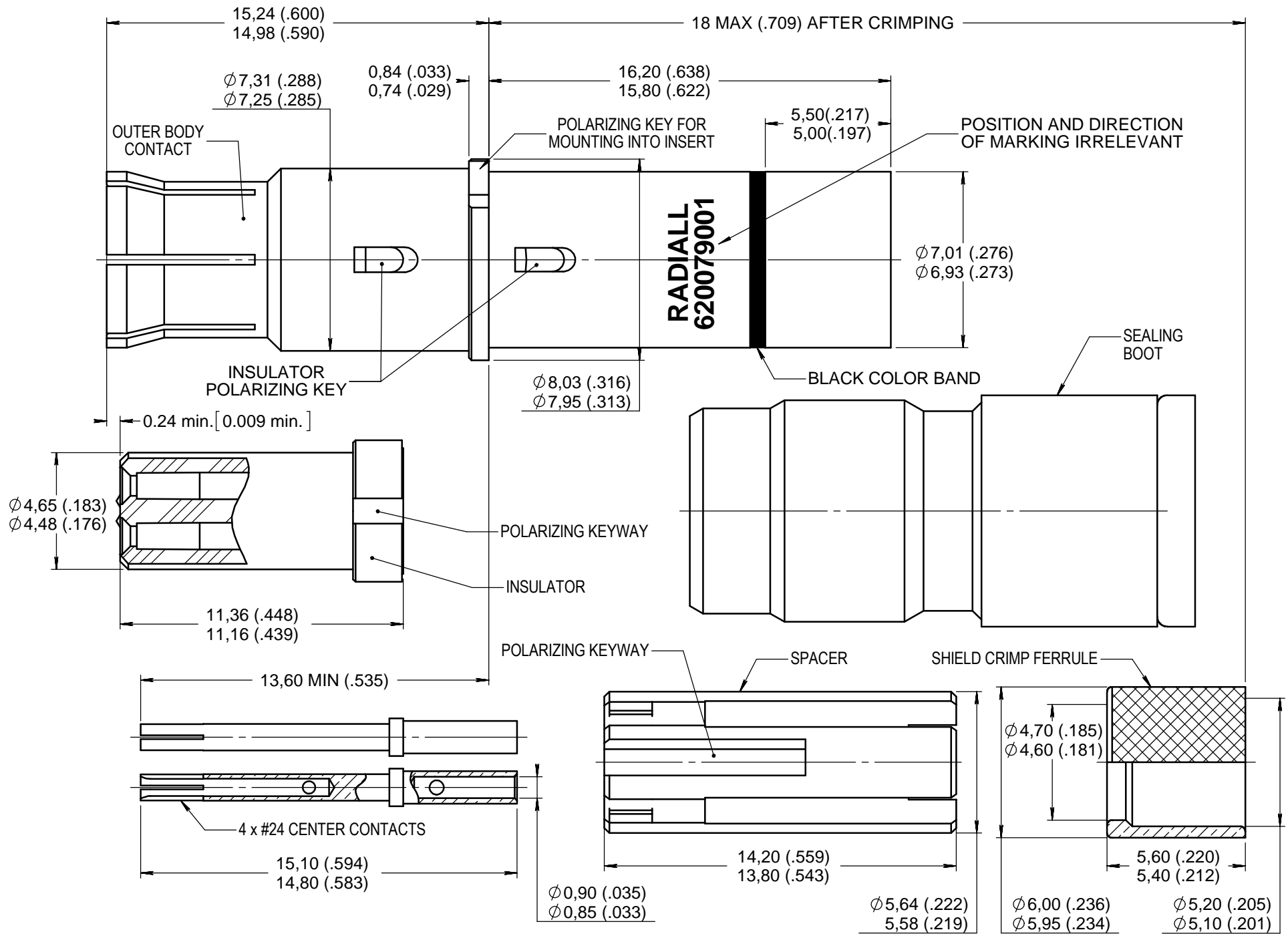


Series
NSX

ENVIRONMENTAL SIZE 8 QUADRAX SOCKET CONTACT
FOR JSFY02 QUADRAX CABLE

Issue:
Sept. 05, 2012

Page
1/1



MATERIAL:

- OUTER AND CENTER CONTACTS: COPPER ALLOY PER ASTM B 196
- FERRULE: BRASS PER EN 12164
- INSULATOR : PTFE PER ASTM-D-1710 OR EQUIVALENT
- SEALING BOOT: THERMOPLASTIC PER ASTM D 5205 AND FLUROSILICONE PER SAE-AMS-R-25988
- SPACER : THERMOPLASTIC PER ASTM D 5205

FINISH:

- ALL METAL PARTS:
PLATING .00005 INCH OF GOLD PER MIL-G-45204 TYPE II, GRADE C CLASS 1 OVER NICKEL PER QQ-N-290

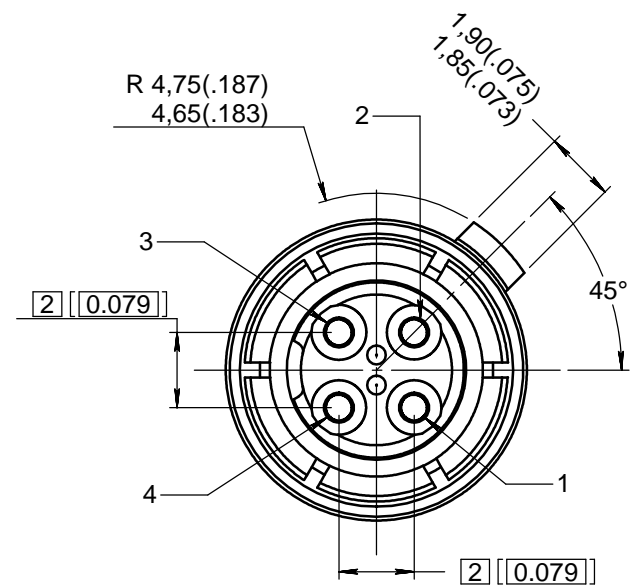
EXTRACTION TOOL:

- M81969/28.03 (RADIALL: 282 549 001) OR M81969/14-06

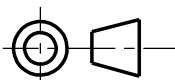
WIRING INSTRUCTIONS: SEE RP57186

PACKAGING: RADIALL - CAGE CODE
RADIALL P/N

ENGAGING FACE



DIMENSIONS : mm (inch are given for information only)



Estimated weight : . g

This document contains proprietary information and such information shall not be disclosed to any third party for any purpose whatsoever or used for manufacturing purposes without prior written agreement from RADIALL. This information is given as an indication in the continual goal to improve our products, we reserve the right to make any modifications judged necessary.

4112_9311

CREATION				
PEN: M030400075A	Sept. 05, 12	Updated way of marking	Legendre T.	Lahoreau C.
	Sept. 29, 06	Updated dimensions	Macari JP.	Lahoreau C.
NOM: MACARI JP.	June 17, 05	Updated materials	Arnault F.	Lahoreau C.
	June 10, 04	Environmental was nonenvironmental	Macari JP.	Mondot JC.
DATE: April 26, 2004	May 04, 04	Copper alloy was Beryllium copper	Legendre T.	Macari JP.
APPR.: MONDOT JC.	Issue	Revisions	Name	Approved