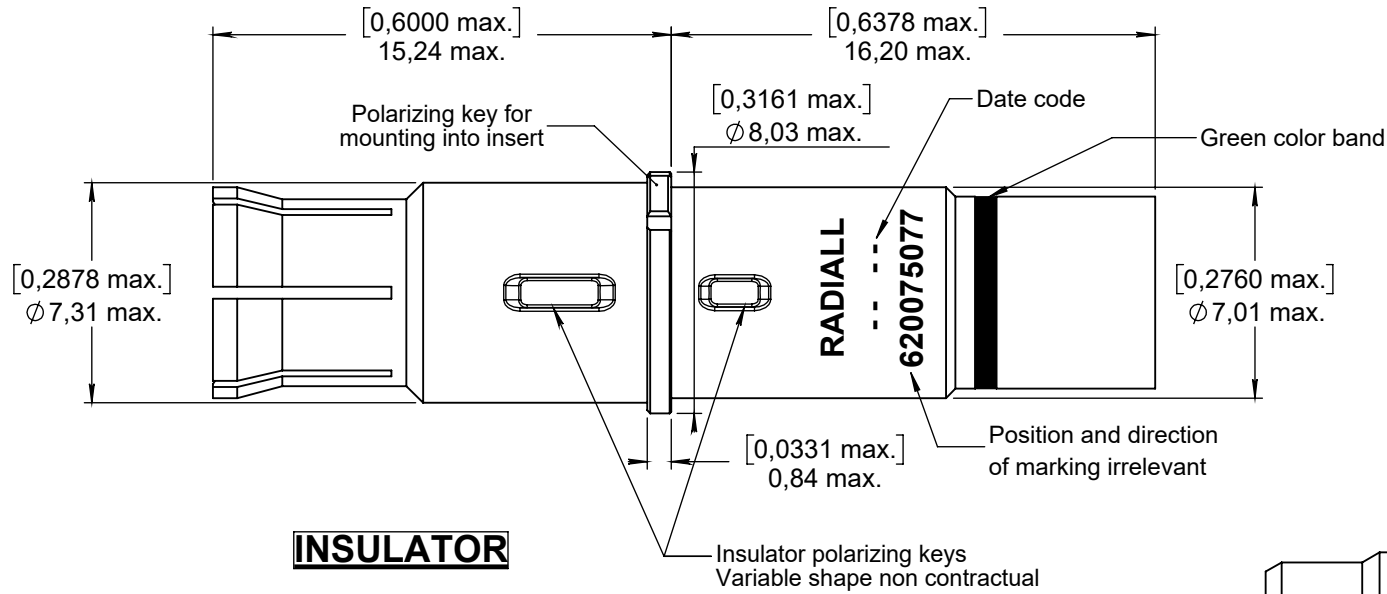
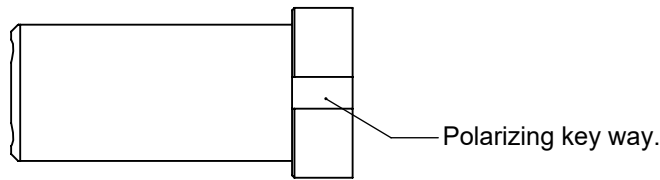


DESIGNED PER ARINC 600

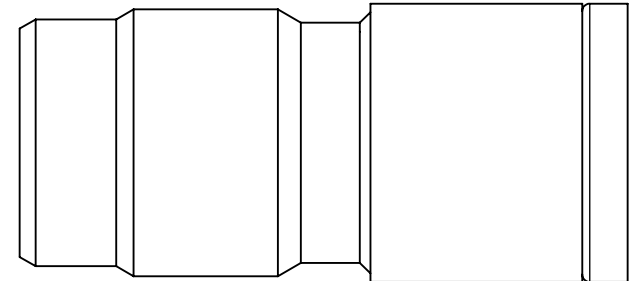
OUTER CONTACT



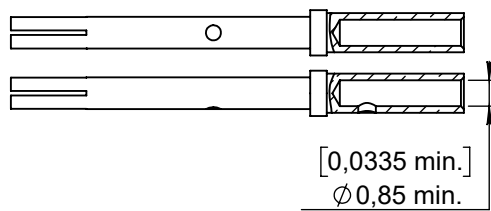
INSULATOR



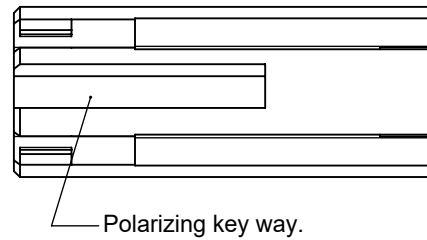
SEALING BOOT



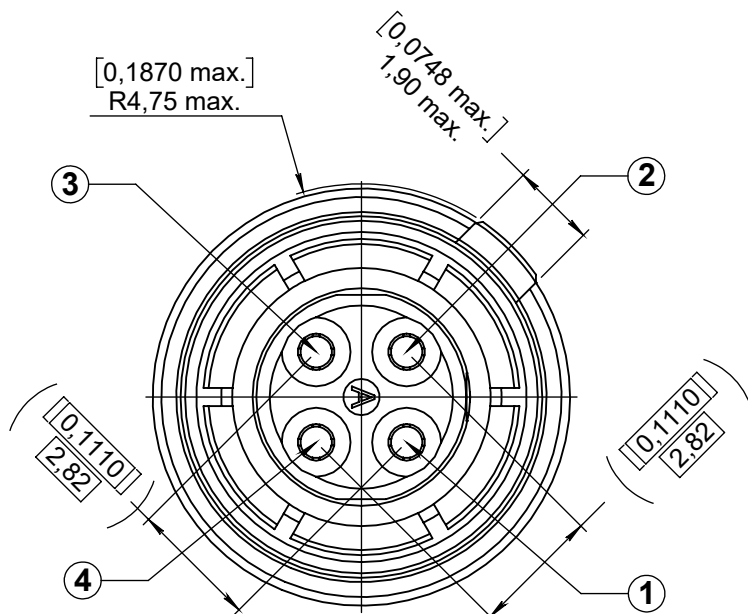
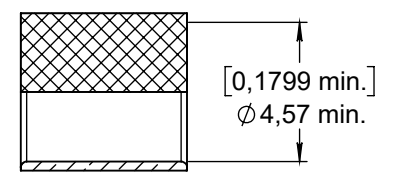
CENTER CONTACTS



SPACER



FERRULE



ENGAGING FACE

MATERIAL :

- Outer contact, center contacts and ferrule : copper alloy
- Insulator : PTFE or suitable material
- Spacer : thermoplastic or suitable material
- Sealing boot : thermoplastic and silicone

FINISH :

- Outer contact : 0,80µm (.000031") mini of gold over nickel
- Center contacts : 1,27µm (.000050") mini of gold over nickel
- Ferrule : 0,50µm (.000020") mini of gold over nickel

EXTRACTION TOOL :

- Metallic tool : M81969/28-03 (RADIALL : 282549001)
- Plastic tool : M81969/14-06

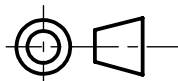
WIRING INSTRUCTIONS :

- MICT0400006

NOTE :

- Heat shrinkable sleeve included

DIMENSIONS : mm (inch are given for information only)



Estimated weight : 4,70g

CREATION

PEN: 24012941-10A

NOM: Legeay H.

DATE: May 19, 25

APPR.: Legendre T.

Issue	Revisions	Name	Approved

This document contains proprietary information and such information shall not be disclosed to any third party for any purpose whatsoever or used for manufacturing purposes without prior written agreement from RADIALL. This information is given as an indication. In the continual goal to improve our products, we reserve the right to make any modifications judged necessary.