
MATERIAL:

- OUTER, CENTER CONTACTS AND FERRULE: COPPER ALLOY
- INSULATOR : PTFE OR SUITABLE MATERIAL (thermoset)
- SPACER : THERMOPLASTIC
- SEALING BOOT : THERMOPLASTIC PER MIL-P-46184 AND FLUOROSILICONE PER MIL-R-25988 OR PER ZZ-R-765

FINISH:

- ALL METAL PARTS:
- Outer body contact plating: 0.80 μ m mini of gold over nickel.
- Center contacts plating: 1.27 μ m mini of gold over nickel.
- Crimp ferrule plating: 0.50 μ m mini of gold over nickel.

EXTRACTION TOOL:

- M81969/28.03 (RADIALL: 282 549 001) OR M81969/14-06

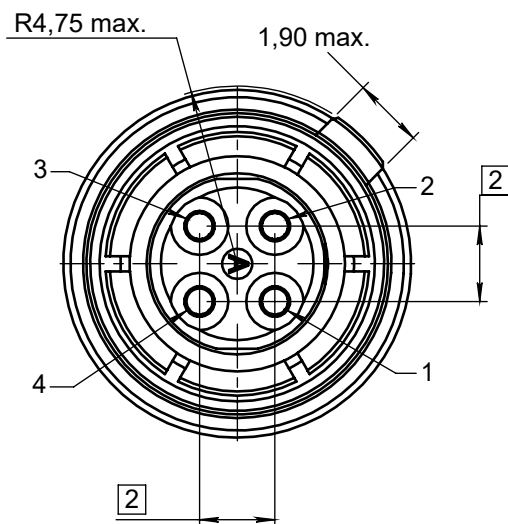
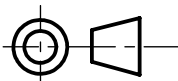
ENGAGING FACE


TABLE 1	
CABLES	WIRING INSTRUCTION
ABS1503KL24	MICT0400005
EN3375-011 KL24	
ABS1503KD	RP55178
ABS0972	
GSC01-81869-01	
THERMAX T956-4T200	
CEEW0005-2PF870	
PIC E50424	

DIMENSIONS : mm (inch are given for information only)


Estimated weight : 4,65 g

CREATION

PEN: 20189267

NOM: AMORIM A.

DATE: Dec. 13, 2019

APPR.: LEGENDRE T.

Issue	Revisions	Name	Approved
Dec. 13,19	Creation	AMORIM	LEGENDRE