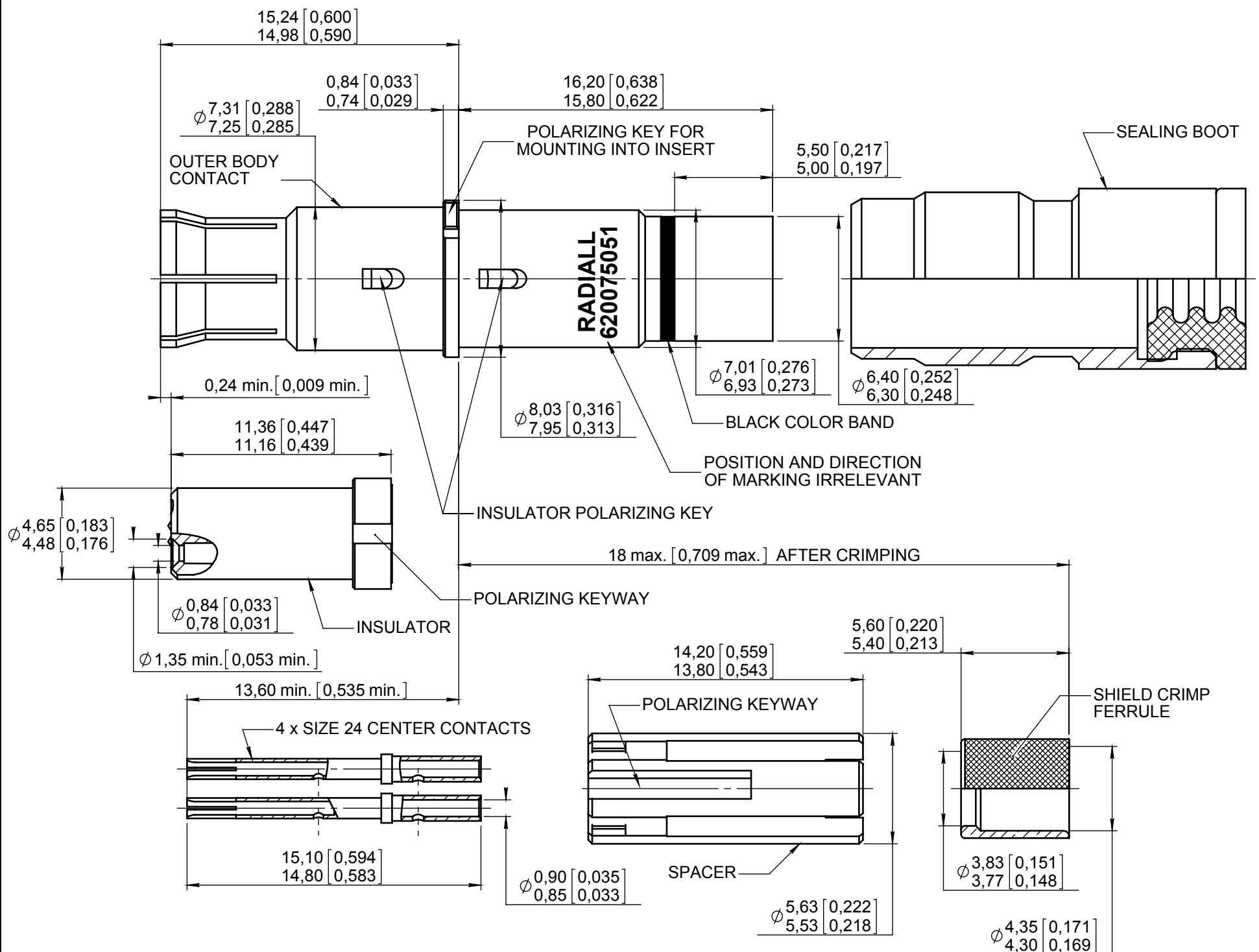


Series
NSX

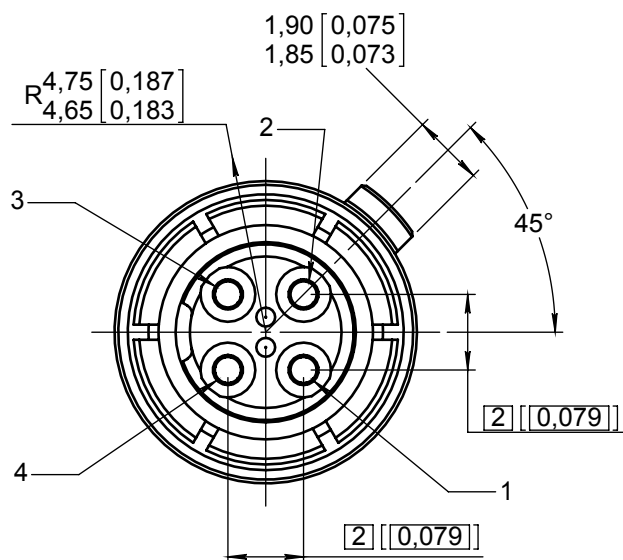
ENVIRONMENTAL SIZE 8 QUADRAX SOCKET CONTACT
FOR QUADRAX TENSOLITE NF24Q100 (BMS13-72T03C04G024), ECS 422404
PIC E51424 AND THERMAX MX100Q24 CABLES

Issue:
Sep. 04, 2015

Page
1/1



ENGAGING FACE



MATERIAL:

- OUTER AND CENTER CONTACTS: COPPER ALLOY
- FERRULE: BRASS PER QQ-B-626
- INSULATOR : PTFE PER ASTM-D-1710 OR EQUIVALENT
- SEALING BOOT: THERMOPLASTIC PER MIL-P-46184 AND FLUROSILICONE PER MIL-R-25988 OR PER ZZ-R-765
- SPACER : THERMOPLASTIC PER ASTM D 5205

FINISH:

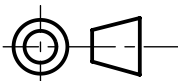
- ALL METAL PARTS:
PLATING .00005 INCH OF GOLD PER MIL-G-45204 TYPE I OR II
GRADE C OR D CLASS 1 OVER NICKEL PER QQ-N-290

EXTRACTION TOOL:

- M81969/28.03 (RADIALL: 282 549 001) OR M81969/14-06

WIRING INSTRUCTIONS: SEE RP57339

DIMENSIONS : mm (inch are given for information only)



Estimated weight : 4.9 g

CREATION

PEN: M030400018E

NOM: LEGENDRE T.

DATE: Nov. 18, 2005

APPR.: MACARI JP.

Issue	Revisions	Name	Approved
Sep. 04, 15	Add PIC E51424 cable	Pécault B.	Legendre T.
July 31, 15	Corrected spacer diameter	Legendre	Branjonneau
Sept. 05, 12	Updated way of the marking	Legendre	Dupuis
Feb. 22, 12	Added BMS13-72T03C04G024 cable	Moutault	Dupuis
June 08, 09	Added ECS and Thermax cables	Macari	Legendre

620075051EN

RADIALL PROPRIETARY INFORMATION

Confidential information not to be disclosed to third parties without Radiall approval. This information is given as an indication. In the continual goal to improve our products, we reserve the right to make any modifications judged necessary.

4112_9311