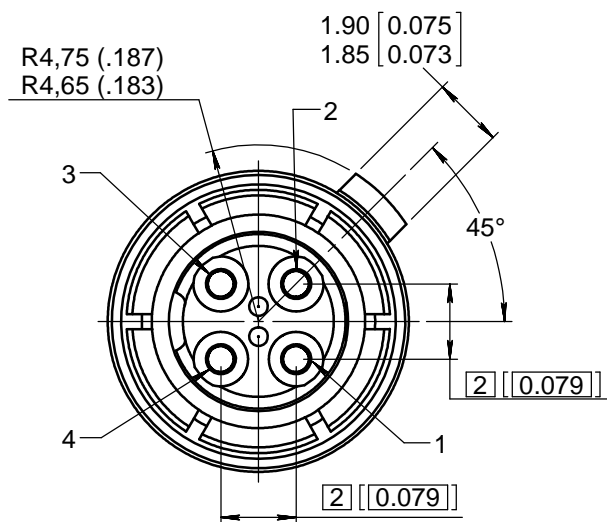
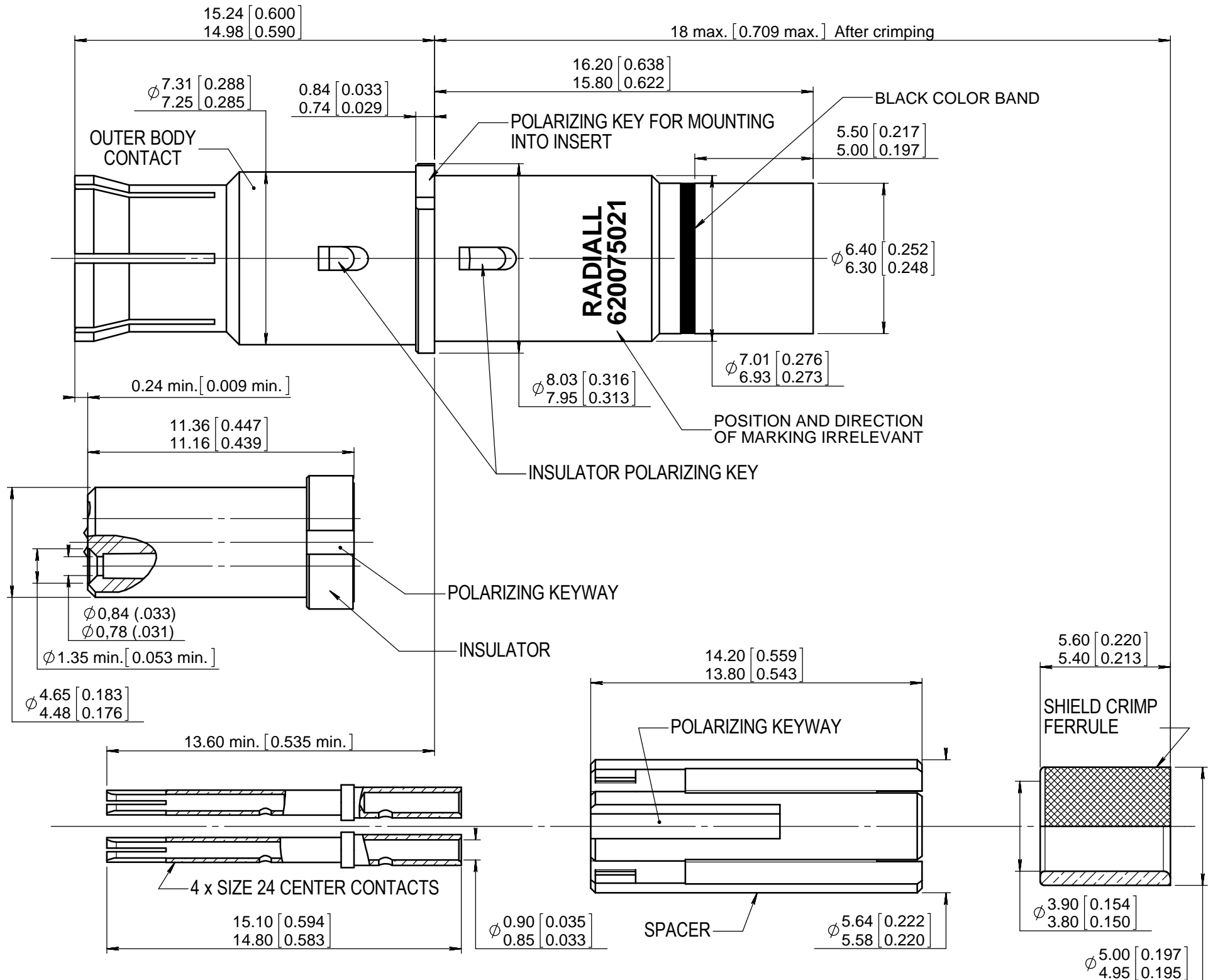


Series
NSX

NON ENVIRONMENTAL SIZE 8 QUADRAX SOCKET CONTACT FOR
GORE CABLE P/N: RCN8487-1 (JSFY18)
AND NF26Q100 CABLE

Issue:
Sept. 11, 2012

Page
1/1



MATERIAL:

- OUTER AND CENTER CONTACTS: COPPER ALLOY
- FERRULE: BRASS PER EN 12164
- INSULATOR : PTFE PER ASTM-D-1710 OR EQUIVALENT
- SPACER : THERMOPLASTIC PER ASTM D 5205

FINISH:

- ALL METAL PARTS:
PLATING .00005 INCH OF GOLD PER MIL-G-45204 TYPE I OR II
GRADE C OR D CLASS 1 OVER NICKEL PER QQ-N-290

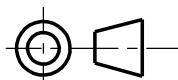
EXTRACTION TOOL:

- M81969/28.03 (RADIALL: 282 549 001) OR M81969/14-06

WIRING INSTRUCTIONS: SEE RP55178

PACKAGING : RADIALL - DATE CODE
620075021

DIMENSIONS : mm (inch are given for information only)



This information is given as an indication. In the continual goal to improve our products, we reserve the right to make any modifications judged necessary.

4112_9311

CREATION	Issue	Revisions	Name	Approved
PEN: M04 0400 089A NOM: MACARI DATE: 06 SEPT.04 APPR.: LEGENDRE	Sept. 11, 12	Added nota about marking position & direction	Legendre T.	Dupuis V.
	Sept. 25, 08	Added NF26Q100 Cable	LEGENDRE	MACARI
	16 AUG.05	NON ENVIRONMENTAL CT WAS ENVIRONMENTAL	MACARI	LEGENDRE
	20 JULY 05	UPDATE WIRING INSTRUCTIONS	MACARI	LEGENDRE
	17 JUNE 05	UPDATE MATERIALS	ARNAULT	LAHOREAU
	23 SEPT.04	UPDATED DIMENSIONS AND CABLE	MACARI	LEGENDRE