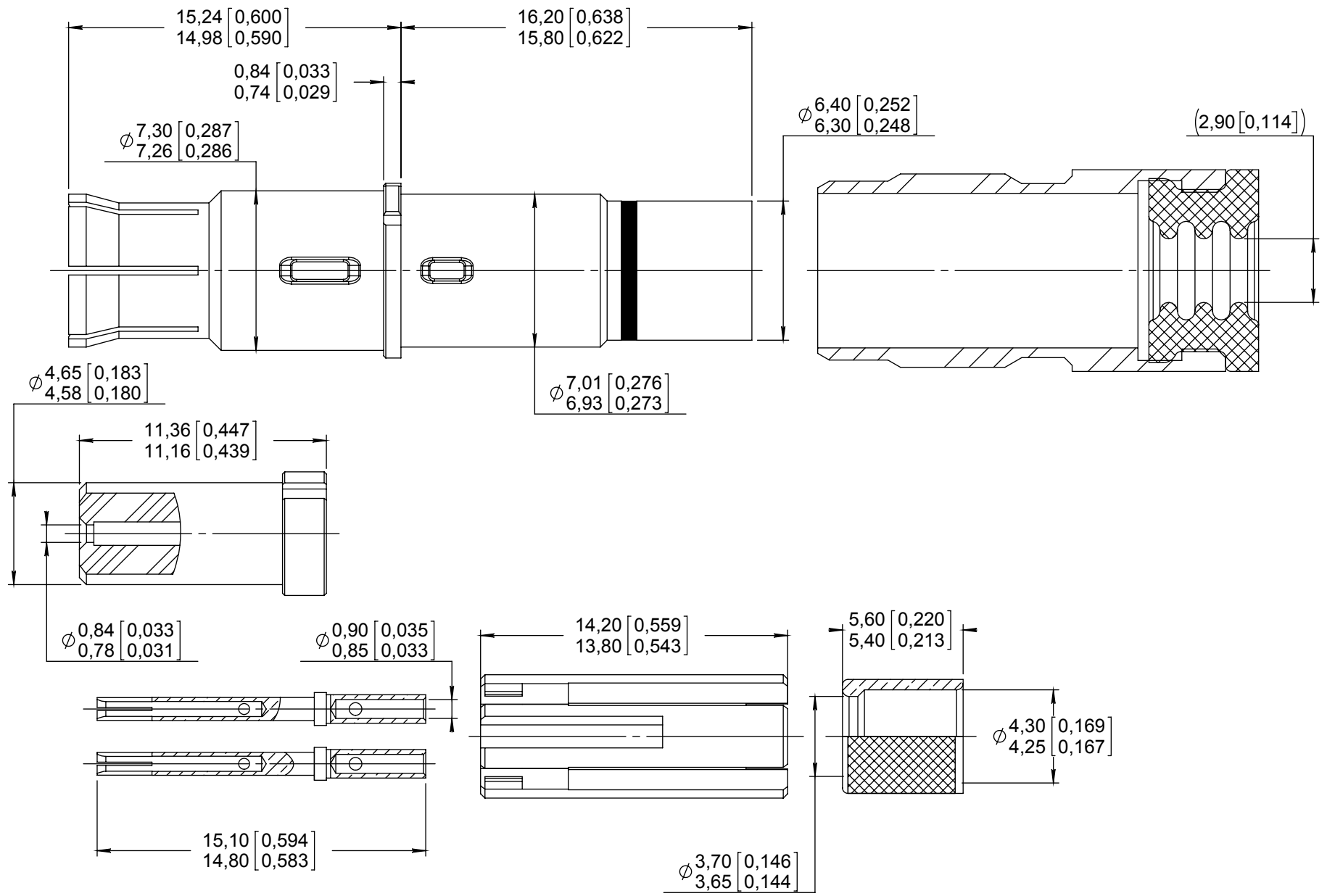


Series  
NSX

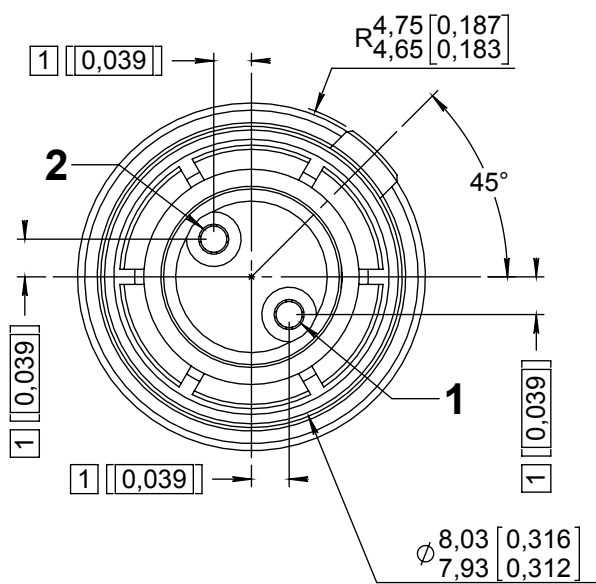
ENVIRONMENTAL SIZE 8 CRIMP SOCKET TWINAX CONTACT  
FOR CABLE BMS 13-80T02C02G024

Issue:  
Jul. 29, 2019

Page  
1/1



### ENGAGING FACE



### MATERIAL :

- OUTER BODY AND CENTER CONTACTS : BERYLLIUM COPPER PER ASTM B 196
- FERRULE : BRASS PER ASTM B 16 OR ASTM B 453 OR EN 12164
- INSULATOR : PTFE PER ASTM D 1710 OR EQUIVALENT
- SPACER : THERMOPLASTIC PER ASTM D 5205
- SEALING BOOT : THERMOPLASTIC PER ASTM D 5205 AND FLUOROSILICONE PER SAE AMS-R-25988

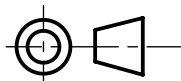
### FINISH :

- ALL METAL PARTS : PLATING .00005 INCH OF GOLD PER MIL-DTL-45204 OVER NICKEL PER AMS 2403

### NOTES :

- EXTRACTION TOOL : M 81969/28-03 (RADIALL 282549001) OR M81969/14-06
- WIRING INSTRUCTIONS : SEE RP56870

DIMENSIONS : mm (inch are given for information only)



Estimated weight : 4.73 g

### CREATION

PEN: 20188565-10F

NOM: RAMOS D.

DATE: Mar. 19, 2019

APPR.: ZUNIGA F.

Jul. 29, 19	Product qualified	Ramos D.	Zuniga F.
Issue	Revisions	Name	Approved

620065015EN

RADIALL PROPRIETARY INFORMATION

This document contains proprietary information and such information shall not be disclosed to any third party for any purpose whatsoever or used for manufacturing purposes without prior written agreement from RADIALL. This information is given as an indication. In the continual goal to improve our products, we reserve the right to make any modifications judged necessary.

4112\_9311