

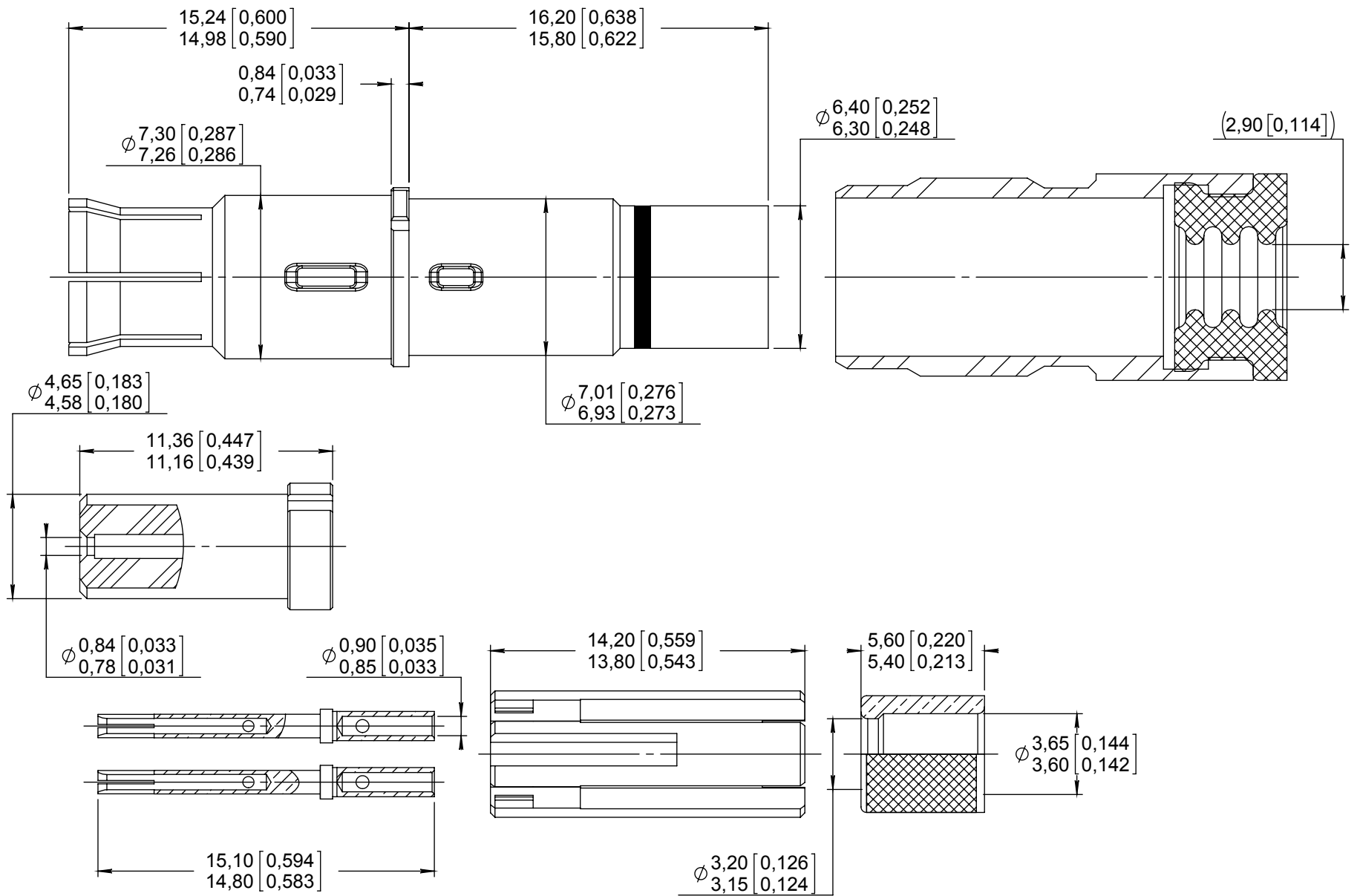
Series
NSX

ENVIRONMENTAL SIZE 8 CRIMP SOCKET TWINAX CONTACT

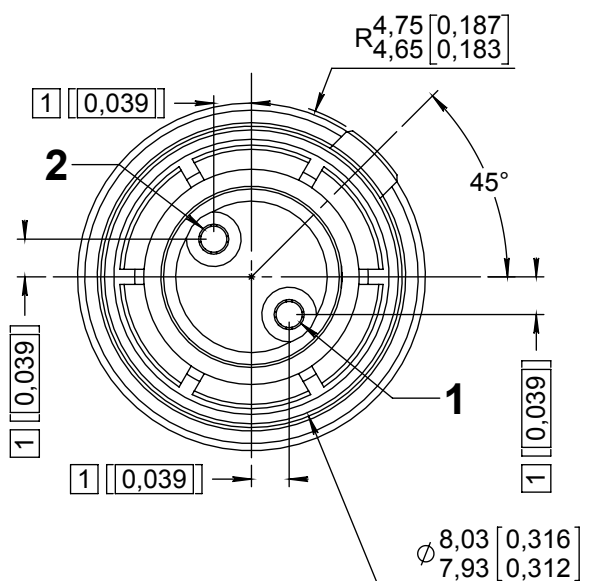
Issue:
May 16, 2018

Page
1/1

This document contains proprietary information and such information shall not be disclosed to any third party for any purpose whatsoever or used for manufacturing purposes without prior written agreement from RADIALL. This information is given as an indication. In the continual goal to improve our products, we reserve the right to make any modifications judged necessary.



ENGAGING FACE



MATERIAL :

- OUTER BODY AND CENTER CONTACTS : BERYLLIUM COPPER PER ASTM B 196
- FERRULE : BRASS PER ASTM B 16 OR ASTM B 453 OR EN 12164
- INSULATOR : PTFE PER ASTM D 1710 OR EQUIVALENT
- SPACER : THERMOPLASTIC PER ASTM D 5205
- SEALING BOOT : THERMOPLASTIC PER ASTM D 5205 AND FLUOROSILICONE PER SAE AMS-R-25988

FINISH :

- ALL METAL PARTS : PLATING .00005 INCH OF GOLD PER MIL-DTL-45204 OVER NICKEL PER AMS 2403

NOTES :

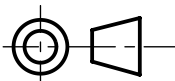
EXTRACTION TOOL : M 81969/28-03 (RADIALL 282 549 001) OR M81969/14-06

WIRING INSTRUCTIONS : SEE RP56870

CABLES :

- NEXANS (FILOTEX) P/N : ABS 0386 WF / ET96897
- DRAKA-FILECA P/N : F 2703-37
- RAYCHEM P/N : 1726A1424

DIMENSIONS : mm (inch are given for information only)



Estimated weight : 4.90 g

CREATION				
PEN: M030104259B				
NOM: RAMOS D.				
DATE: May 16, 2018				
APPR.: ZUNIGA F.				
Issue	Revisions	Name	Approved	

PRODUCT NOT QUALIFIED