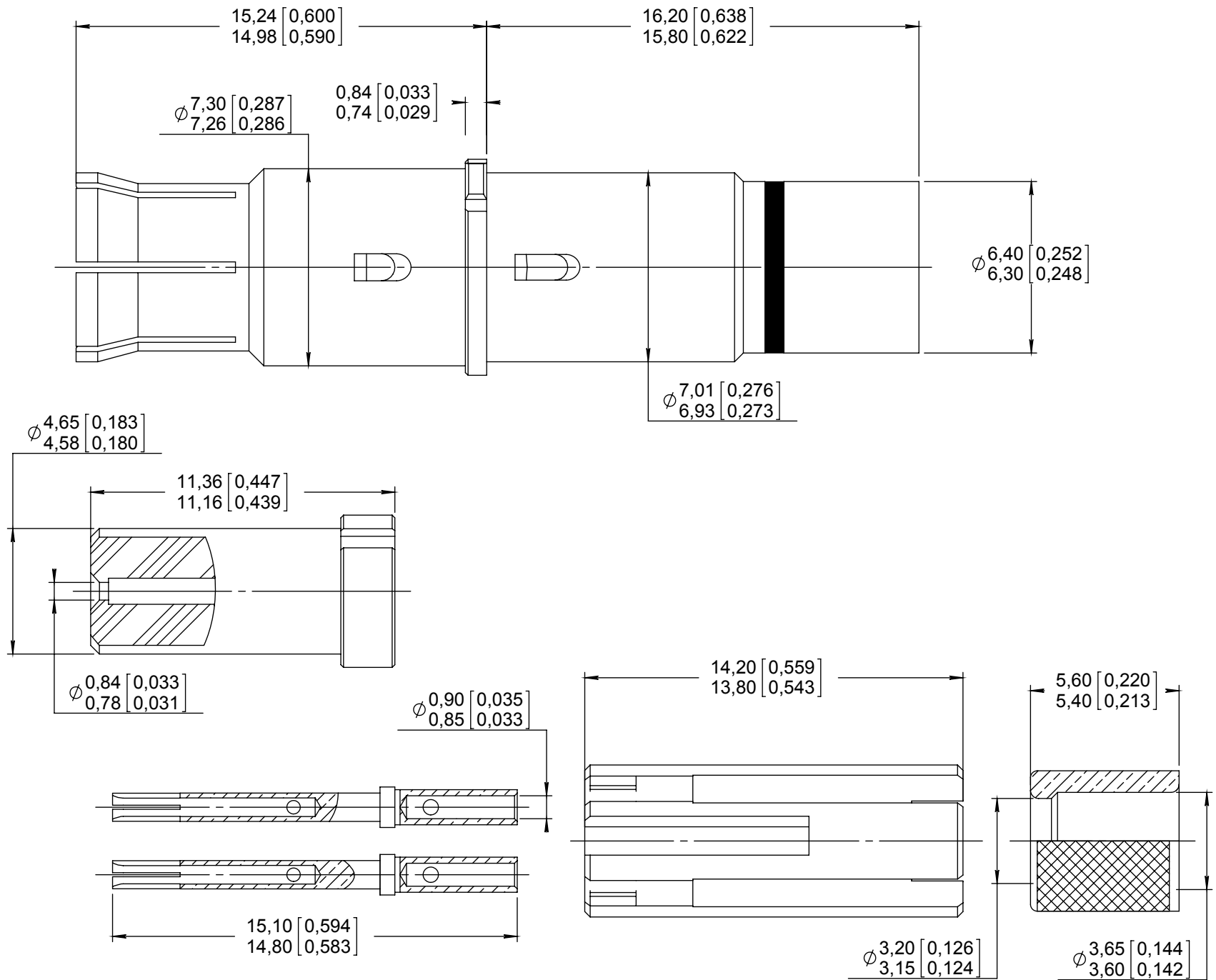


Series
NSX

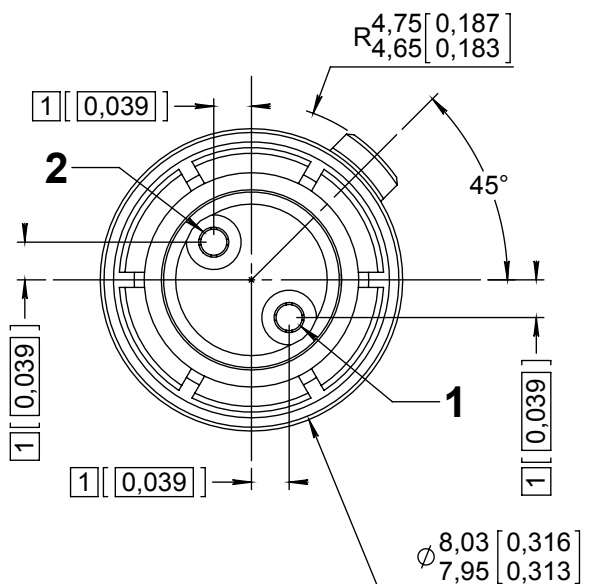
SIZE 8 SOCKET CONTACT

Issue:
Jan. 29, 2015

Page
1/1



ENGAGING FACE



MATERIALS :

- OUTER BODY AND CENTER CONTACTS: BERYLLIUM COPPER ALLOY PER ASTM B 194
- FERRULE : BRASS PER ASTM B 16 OR EN 12164 OR EN 12166
- INSULATOR : PTFE PER ASTM D 1710 OR EQUIVALENT
- SPACER : PEI ULTEM PER ASTM D 5205

FINISH :

ALL METAL PARTS : PLATING .00005 INCH OF GOLD PER MIL-DTL-45204 OVER NICKEL PER AMS 2403

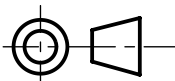
EXTRACTION TOOL : M 81969/28-03 (RADIALL 282 549 001) OR M81969/14-06

WIRING INSTRUCTIONS : SEE RP56870

CABLES:

- NEXANS (FILOTEX) P/N: ABS 0386 WF / ET96897.
- DRAKA-FILECA P/N: F 2703-37.
- RAYCHEM P/N: 1726A1424.

DIMENSIONS : mm (inch are given for information only)



Estimated weight : 4.3 g

CREATION

PEN: M030104259B

NOM: PERRIN H

DATE: May 04,

APPR.: VAN DEN B.

Issue	Revisions	Name	Approved
Jan. 29, 2015	Add pin numbers (1 & 2) on engaging face	ZUNIGA	RAMOS
Mar. 10, 2009	Raychem and Nexans cables added	MALTY	PESSARD
Mar. 27, 2006	Added : Wiring instruction RP56870	GOMBERT	JP MACARI
Apr. 10, 2005	Suppress sealing boot	B VAN DEN	/

620065010EN

RADIALL PROPRIETARY INFORMATION

This document contains proprietary information and such information shall not be disclosed to any third party for any purpose whatsoever or used for manufacturing purposes without prior written agreement from RADIALL. This information is given as an indication. In the continual goal to improve our products, we reserve the right to make any modifications judged necessary.

4112_9311