

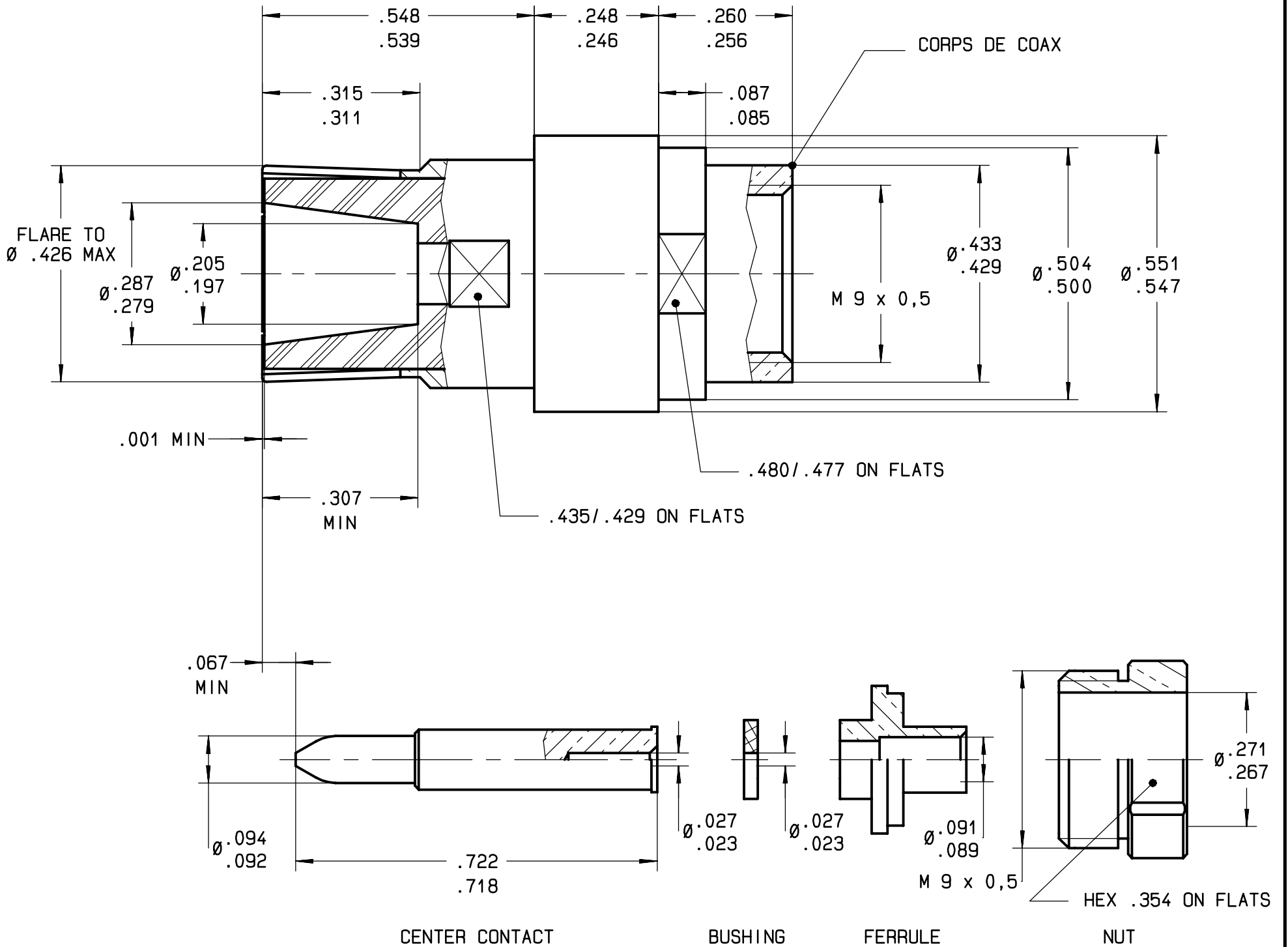


Series
NSX

SIZE 1 PIN COAXIAL CONTACT
FOR UT.085 CABLE

Issue:
27 FEB 2002

Page
1 / 1



MATERIAL:
 BODY COAX: BERYLLIUM COPPER PER ASTM-B-194
 CENTER CONTACT, FERRULE AND NUT: BRASS PER QQ-B-626
 INSULATOR AND BUSHING: PTFE PER ASTM-D-1710 OR EQUIVALENT

FINISH:
 ALL METALIC PARTS: .00005 OF GOLD PER MIL-G-45204 TYPE I OR II, GRADE C OR D, CLASS 1 OVER NICKEL PER QQ-N-290

WIRING INSTRUCTIONS: SEE RP 6529

This information is given as an indication. In the continual goal to improve our products, we reserve the right to make any modifications judged necessary.

4112-9610

CREATION
PEN: M960019011A
NOM: VALGRESY
DATE: 27 FEB 2002
APPR.: MACARI
Issue	Revisions		Name	Approved