

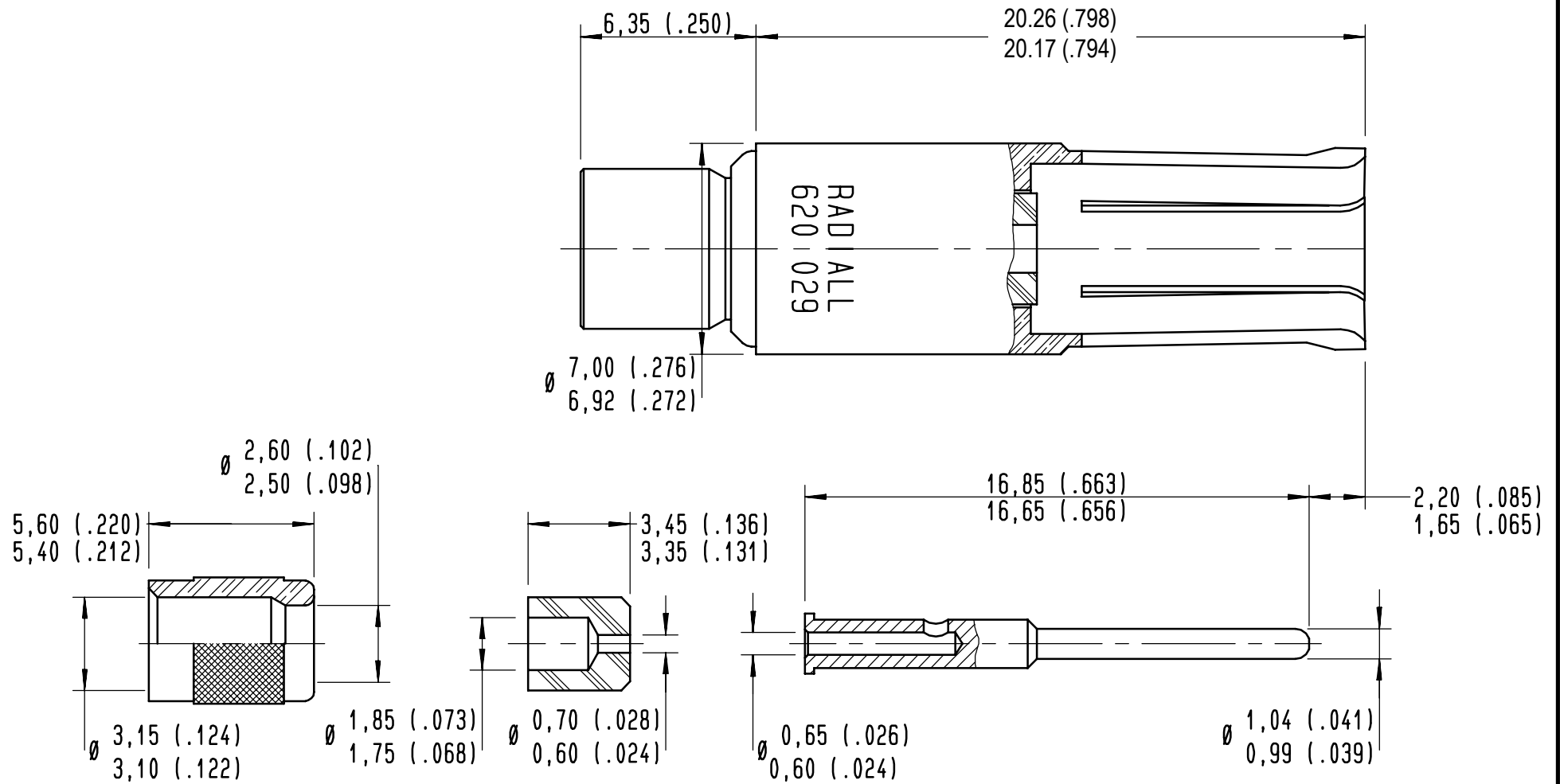


Series  
NSX

SIZE 5 COAXIAL SOCKET CONTACT  
FOR RD 316 CABLE

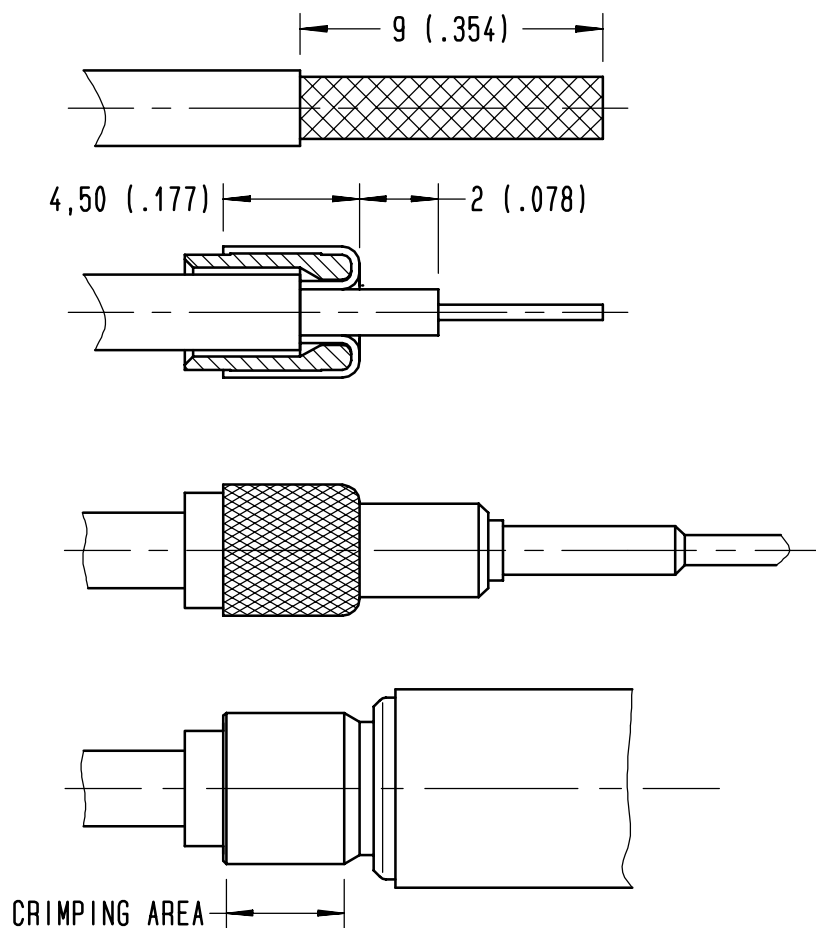
Issue:  
NOV. 26, 13

Page  
1 / 1



**MATERIAL:**  
 OUTER CONTACT: BERYLLIUM COPPER  
 INSULATOR: PTFE  
 CENTER CONTACT: BRASS  
 FERRULE: BRASS  
**FINISH (ALL METAL PARTS)**  
 GOLD PLATE PER MIL-G-45204: 50 MICRONS OVER NICKEL

**DESIGN REQUIREMENTS**  
 TEMPERATURE RANGE: -65°C TO +165°C  
 IMPEDANCE: 50 OHMS NOMINAL  
 RATED VOLTAGE: 325 V RMS AT SEA LEVEL  
 VSWR: 1.10:1 FREQUENCY RANGE : 0 - 300 MHZ  
 VSWR: 1.30:1 FREQUENCY RANGE : 300 - 500 MHZ  
 FREQUENCY RANGE: 0 - 500 MHZ  
 DIELECTRIC WITHSTANDING VOLTAGE: 750 VRMS AT SEA LEVEL



STRIP THE BRAID AT DIMENSION SHOWN

SLIDE THE FERRULE OVER THE BRAID UNTILL IT BUTTS  
 AGAINST CABLE JACKET  
 FOLD BACK BRAID OVER FERRULE  
 FOLD BRAID BACK OVER THE FERRULE  
 STRIP CENTER CONDUCTOR AT DIMENSION SHOWN

SLIDE DIELECTRIC SLEEVE AND CENTER CONTACT OVER  
 CENTER CONDUCTOR  
 CRIMP CENTER CONTACT USING:  
 CRIMPING TOOL : M22520/2-01 RADIAL 282281  
 SELECTOR : 7  
 POSITIONER : K345 RADIAL 282550

INTRODUCE CENTER CONTACT SUB ASSEMBLY INTO OUTER  
 CONTACT AND CRIMP USING:  
 CRIMPING TOOL : M22520/5-01 RADIAL 282293  
 DIE : M22520/5-05 RADIAL 282246 HEX B .177/FLATS (4,5)

EXTRACTION TOOL: M81969/28-01 (RADIAL 282946)

CREATION				
PEN: M970104373A				
NOM: VALGRESY				
DATE: 24 APR 98				
APPR.: .	NOV. 26, 13	ZUNIGA	DUPUIS	
	Issue	Revisions	Name	Approved

4112-9610

A620029