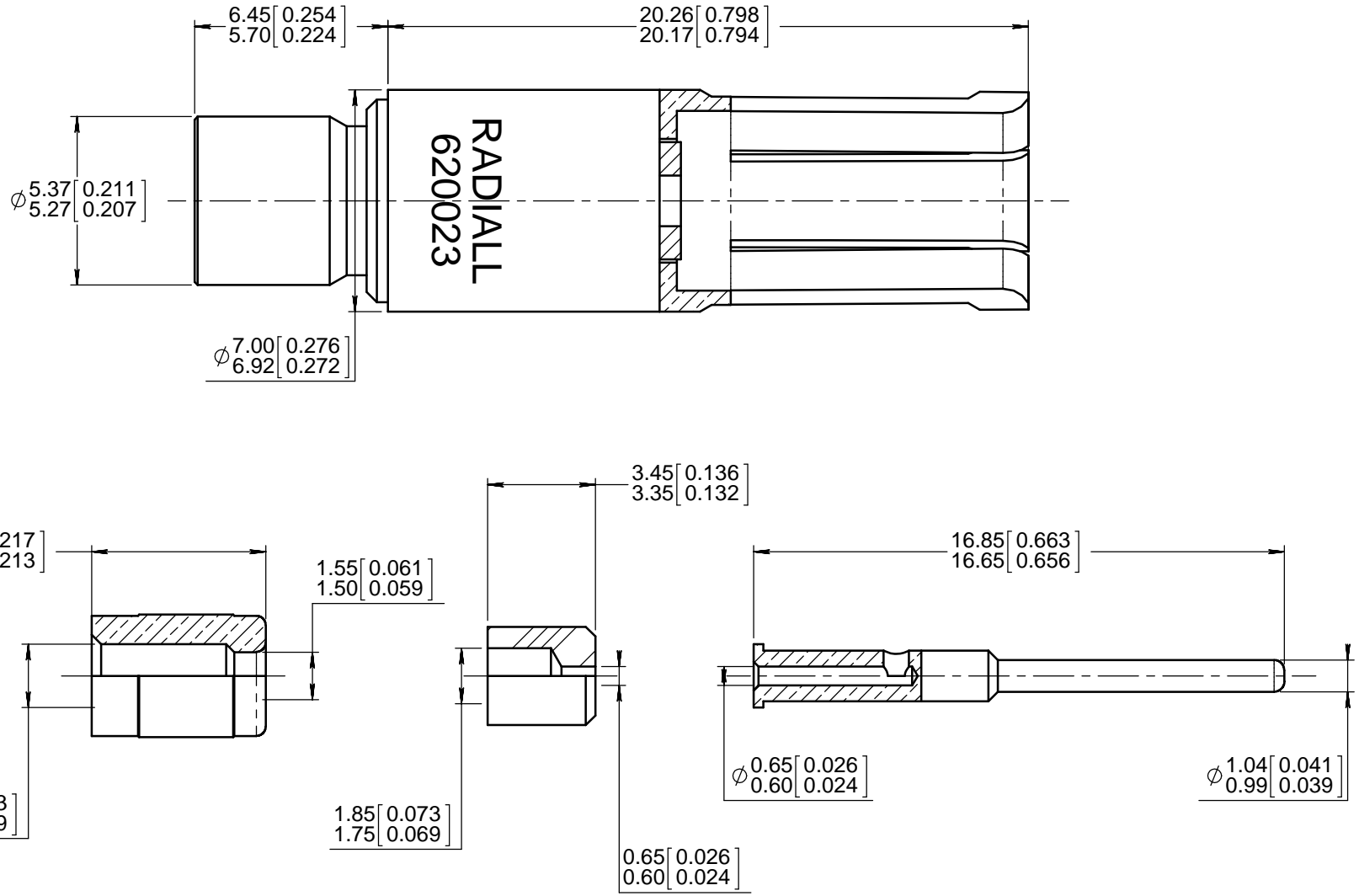


Series  
NSX

NONENVIRONMENTAL SIZE 5 SOCKET COAXIAL CONTACT  
FOR RG178 AND KX21 CABLE

Issue:  
NOV. 25, 2013

Page  
1/1



**MATERIAL AND FINISH :**

- OUTER CONTACT BODY : BERYLLIUM COPPER PER ASTM-B-196
- INSULATOR : PTFE PER ASTM-D-1710 OR EQUIVALENT
- FERRULE: BRASS PER ASTM B 453/B453 M
- CENTER CONTACT : BRASS PER ASTM B 453/B453 M

**FINISH :**

- OUTER CONTACT BODY, CENTER CONTACT AND FERRULE:  
PLATING .00005 INCH OF GOLD PER MIL-G-45204 TYPE I OR II GRADE C OR D CLASS 1  
OVER NICKEL QQ-N-290

**ELECTRICAL CHARACTERISTICS :**

- TEMPERATURE RANGE : -65°C TO +165°C
- IMPEDANCE : 50 OHMS nominal
- RATED VOLTAGE : 325V RMS AT SEA LEVEL
- FREQUENCY RANGE : 0-1700 MHz
- VSWR : for 0-1500 MHz : 1-30:1  
for 1500-1700 MHz : 1-50:1
- DWV : 750V RMS AT SEA LEVEL

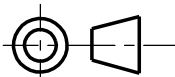
**ELECTRICAL CHARACTERISTICS :**

- INNER CONTACT :  
CRIMPING TOOL 282281 (M22520/2-01) SELECTOR ON 6  
POSITIONNER DANIELS K345-282550
- OUTER CONTACT :  
CRIMPING TOOL 282293 (M22520/5-01)  
DIE 282246 (M22520/5-05) HEX : B 4,5mm sq.

**NOTES :**

- WIRING INSTRUCTIONS : MI CT 01 00040

**DIMENSIONS : mm (inch are given for information only)**



Estimated weight : 3.9 g

Confidential information not to be disclosed to third parties without Radiall approval. This information is given as an indication in the continual goal to improve our products, we reserve the right to make any modifications judged necessary.

4112\_9311

<b>CREATION</b>				
<b>PEN: /</b>				
<b>NOM: HASCOET</b>	<b>NOV. 25, 13</b>	<b>MODIFICATION: 20.30/20.15 =&gt; 20.26/20.17</b>	<b>ZUNIGA</b>	<b>Dupuis</b>
<b>DATE: 04/05/2000</b>	<b>Mar. 19, 12</b>	<b>TDS updated - VSWR changed</b>	<b>Moutault</b>	<b>Dupuis</b>
<b>APPR.: ·</b>	<b>Apr. 15, 02</b>	<b>Added : material, page 2/2</b>	<b>Couthon</b>	<b>Dupuis</b>
	<b>Issue</b>	<b>Revisions</b>	<b>Name</b>	<b>Approved</b>