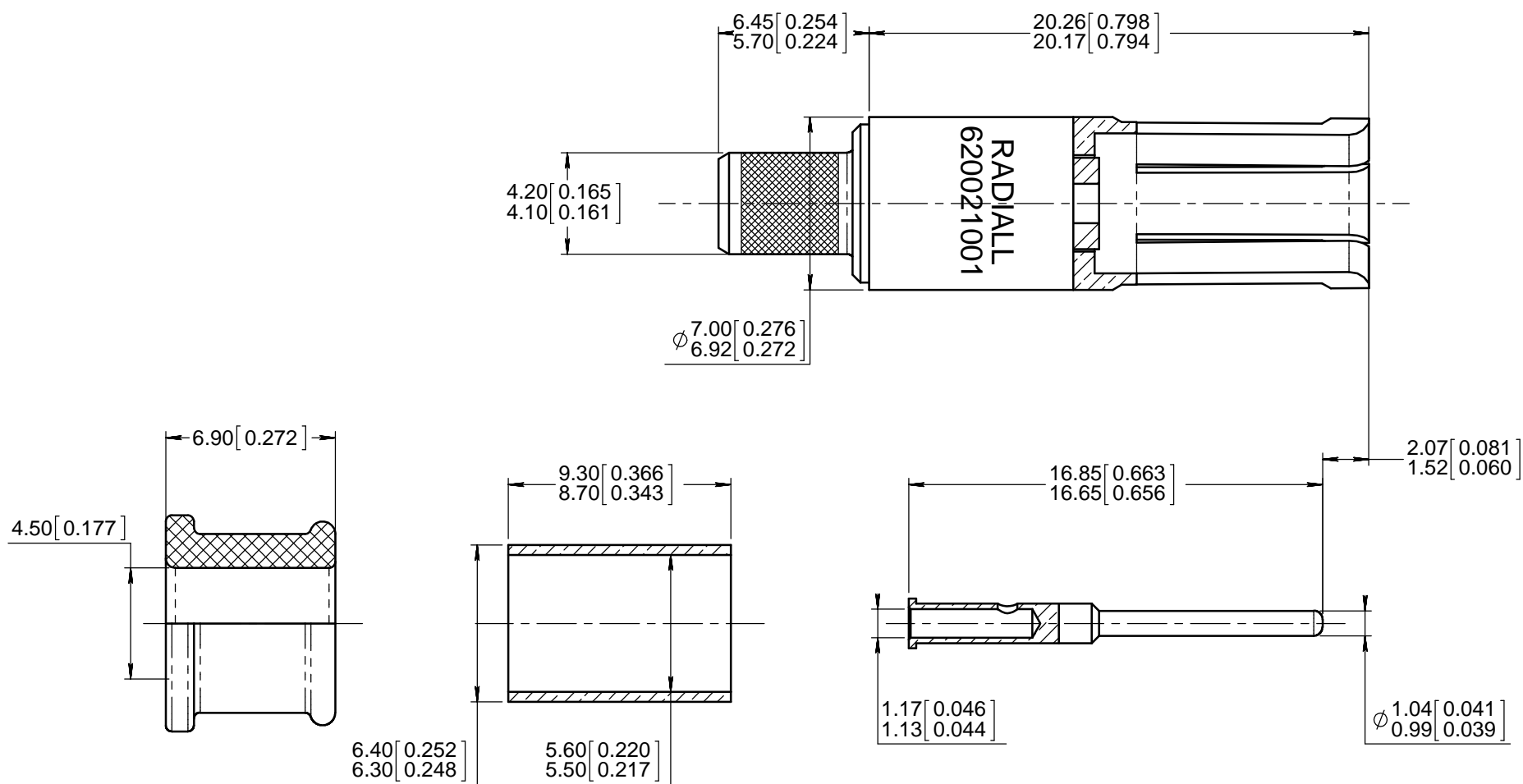


Series  
NSX

ENVIRONMENTAL SOCKET COAXIAL CONTACT SIZE 5  
FOR CABLES RG142 ,RG223 AND ASNE0293XF

Issue:  
NOV. 25, 2013

Page  
1/1



**MATERIAL AND FINISH :**

- OUTER CONTACT BODY : BERYLLIUM COPPER PER ASTM-B-196
- INSULATOR : PTFE PER ASTM-D-1710 OR EQUIVALENT
- FERRULE: BRASS PER ASTM B 453/B453 M
- CENTER CONTACT : BRASS PER ASTM B 453/B453 M
- SEALING BOOT : FLUOROSILICONE ELASTOMER

**FINISH :**

- OUTER CONTACT BODY, CENTER CONTACT AND FERRULE:  
PLATING .00005 INCH OF GOLD PER MIL-G-45204 TYPE I OR II GRADE C OR D CLASS 1  
OVER NICKEL QQ-N-290

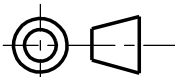
**ELECTRICAL CHARACTERISTICS :**

- TEMPERATURE RANGE : -65°C TO +165°C
- IMPEDANCE : 50 OHMS nominal
- RATED VOLTAGE : 325V RMS AT SEA LEVEL
- FREQUENCY RANGE : 0-1700 MHz
- VSWR : for 0-1500 MHz : 1-30:1  
for 1500-1700 MHz : 1-50:1
- DWV : 750V RMS AT SEA LEVEL

**NOTES:**

- WIRING INSTRUCTIONS : MI CT 01 00039

**DIMENSIONS : mm (inch are given for information only)**



Estimated weight : 4.20 g

Confidential information not to be disclosed to third parties without Radiall approval. This information is given as an indication, in the continual goal to improve our products, we reserve the right to make any modifications judged necessary.

4112\_9311

<b>CREATION</b>				
<b>PEN:</b>				
<b>NOM:</b> MACARI	NOV. 25, 13	MODIFICATION: 20.30/20.15 => 20.26/20.17	ZUNIGA	Dupuis
<b>DATE:</b> Dec. 23, 2012	Mar. 06, 12	TDS updated - VSWR changed	Moutault	Dupuis
<b>APPR.:</b> DUPUIS	Apr. 06, 11	Add RG223 for selector 6	Moutault	Brochet
	Dec. 14, 10	Redrawn, wiring instructions added, cable ASNE0293XF added	Lalloz	Brochet
	Issue	Revisions	Name	Approved