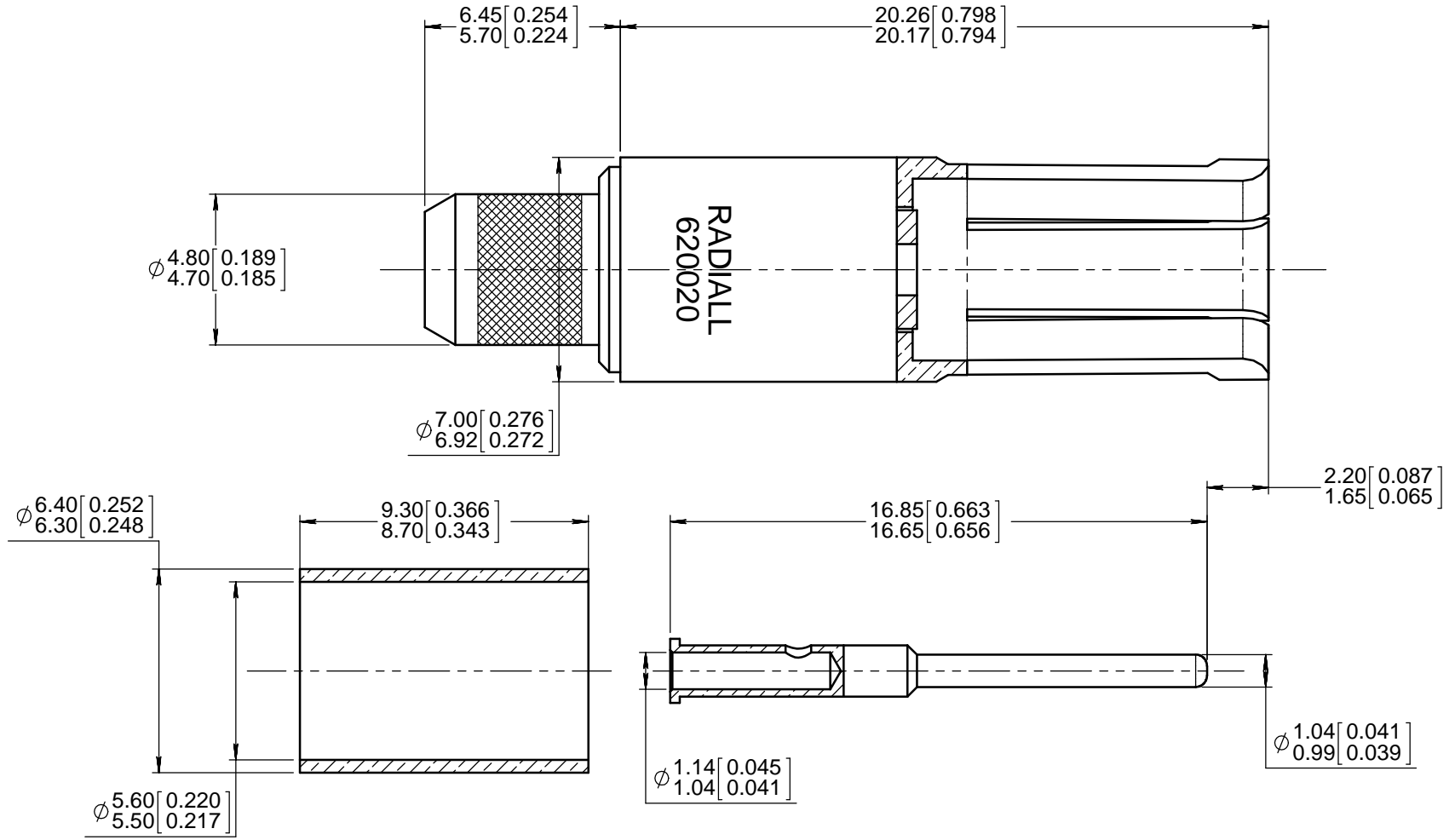


Series  
NSX

SIZE 5 COAXIAL SOCKET CONTACT  
FOR RG58, KX15 AND RG141 CABLES

Issue:  
NOV. 25, 2013

Page  
1/1



**MATERIAL AND FINISH :**

- OUTER CONTACT BODY : BERYLLIUM COPPER PER ASTM-B-196
- INSULATOR : PTFE PER ASTM-D-1710 OR EQUIVALENT
- FERRULE: BRASS PER ASTM B 453/B453 M
- CENTER CONTACT : BRASS PER ASTM B 453/B453 M

**FINISH :**

- OUTER CONTACT BODY, CENTER CONTACT AND FERRULE:  
PLATING .00005 INCH OF GOLD PER MIL-G-45204 TYPE I OR II GRADE C OR D CLASS 1  
OVER NICKEL QQ-N-290

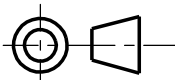
**ELECTRICAL CHARACTERISTICS :**

- TEMPERATURE RANGE : -65°C TO +165°C
- IMPEDANCE : 50 OHMS nominal
- RATED VOLTAGE : 325V RMS AT SEA LEVEL
- FREQUENCY RANGE : 0-1700 MHz
- VSWR : for 0-1500 MHz : 1-30:1  
for 1500-1700 MHz : 1-50:1
- DWV : 750V RMS AT SEA LEVEL

**NOTES:**

- WIRING INSTRUCTIONS : MI CT 01 00039

**DIMENSIONS : mm (inch are given for information only)**



Estimated weight : 4.1 g

Confidential information not to be disclosed to third parties without Radiall approval. This information is given as an indication in the continual goal to improve our products, we reserve the right to make any modifications judged necessary.

4112\_9311

<b>CREATION</b>				
<b>PEN:</b>				
<b>NOM: MACARI</b>	NOV. 25, 13	MODIFICATION : 20,30/20,15 => 20,26/20,17	ZUNIGA	DUPUIS
<b>DATE: June. 17, 1982</b>	Feb. 28, 12	TDS updated : redraw on SdW, VSWR changed and Mounting instruction separated	Moutault	Dupuis
<b>APPR.: CARTESSE</b>	Nov. 15, 96	Redrawn	Valgresy	.
	Issue	Revisions	Name	Approved