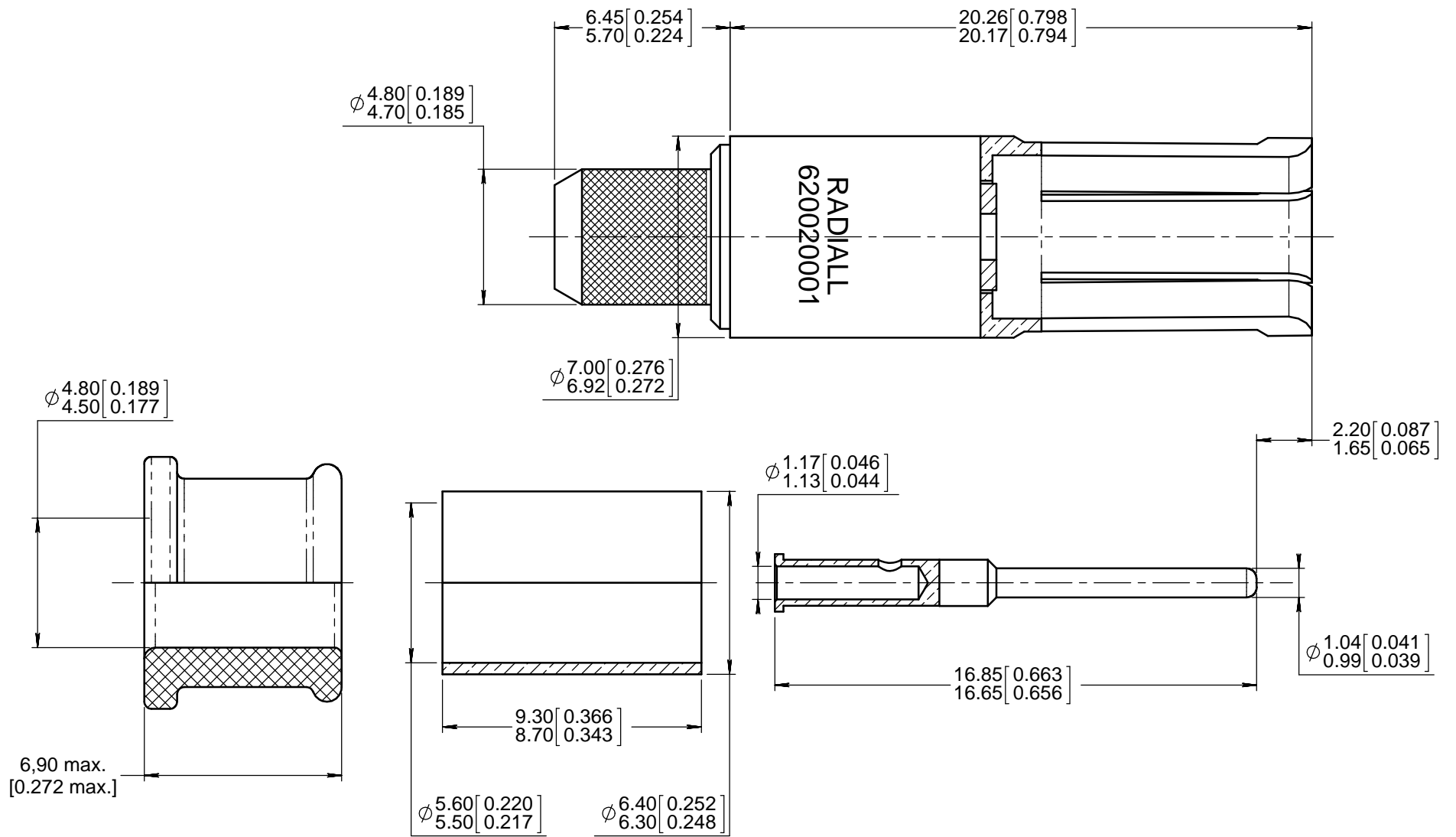


Series
NSX

ENVIRONMENTAL SIZE 5 COAXIAL SOCKET CONTACT
FOR RG58, KX15 AND RG141 CABLES

Issue:
NOV. 25, 2013

Page
1/1



MATERIAL AND FINISH :

- OUTER CONTACT BODY : BERYLLIUM COPPER PER ASTM-B-196
- INSULATOR : PTFE PER ASTM-D-1710 OR EQUIVALENT
- FERRULE: BRASS PER ASTM B 453/B453 M
- CENTER CONTACT : BRASS PER ASTM B 453/B453 M
- SEALING BOOT : FLUOROSILICONE ELASTOMER

FINISH :

- OUTER CONTACT BODY, CENTER CONTACT AND FERRULE:
PLATING .00005 INCH OF GOLD PER MIL-G-45204 TYPE I OR II GRADE C OR D CLASS 1 OVER NICKEL QQ-N-290

ELECTRICAL CHARACTERISTICS :

- TEMPERATURE RANGE : -65°C TO +165°C
- IMPEDANCE : 50 OHMS nominal
- RATED VOLTAGE : 325V RMS AT SEA LEVEL
- FREQUENCY RANGE : 0-1700 MHz
- VSWR : for 0-1500 MHz : 1-30:1
for 1500-1700 MHz : 1-50:1
- DWV : 750V RMS AT SEA LEVEL

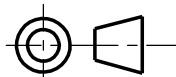
TOOLS :

- CRIMPING TOOL : M22520/2-01 (RADIALL 282281).
- POSITIONER : RADIALL 282550
- SELECTOR : 6 (RG58 AND KX15 CABLE)
8 (RG141 CABLE)
- EXTRACTION TOOL : M81969/28.01 (RADIALL 282946)

NOTES:

- WIRING INSTRUCTIONS : MI CT 01 00039

DIMENSIONS : mm (inch are given for information only)



Estimated weight : 4.4 g

CREATION				
	PEN: .			
	NOM: MACARI			
	DATE: Dec. 23, 1992	NOV. 25, 13	MODIFICATION : 20,30/20,15 => 20,26/20,17	ZUNIGA
APPR.: .	Mar. 09, 12	TDS updated - VSWR changed	Moutault	Dupuis
	Issue	Revisions	Name	Approved

620020001EN

RADIALL PROPRIETARY INFORMATION

Confidential information not to be disclosed to third parties without Radiall approval. This information is given as an indication in the continual goal to improve our products, we reserve the right to make any modifications judged necessary.

4112_9311