

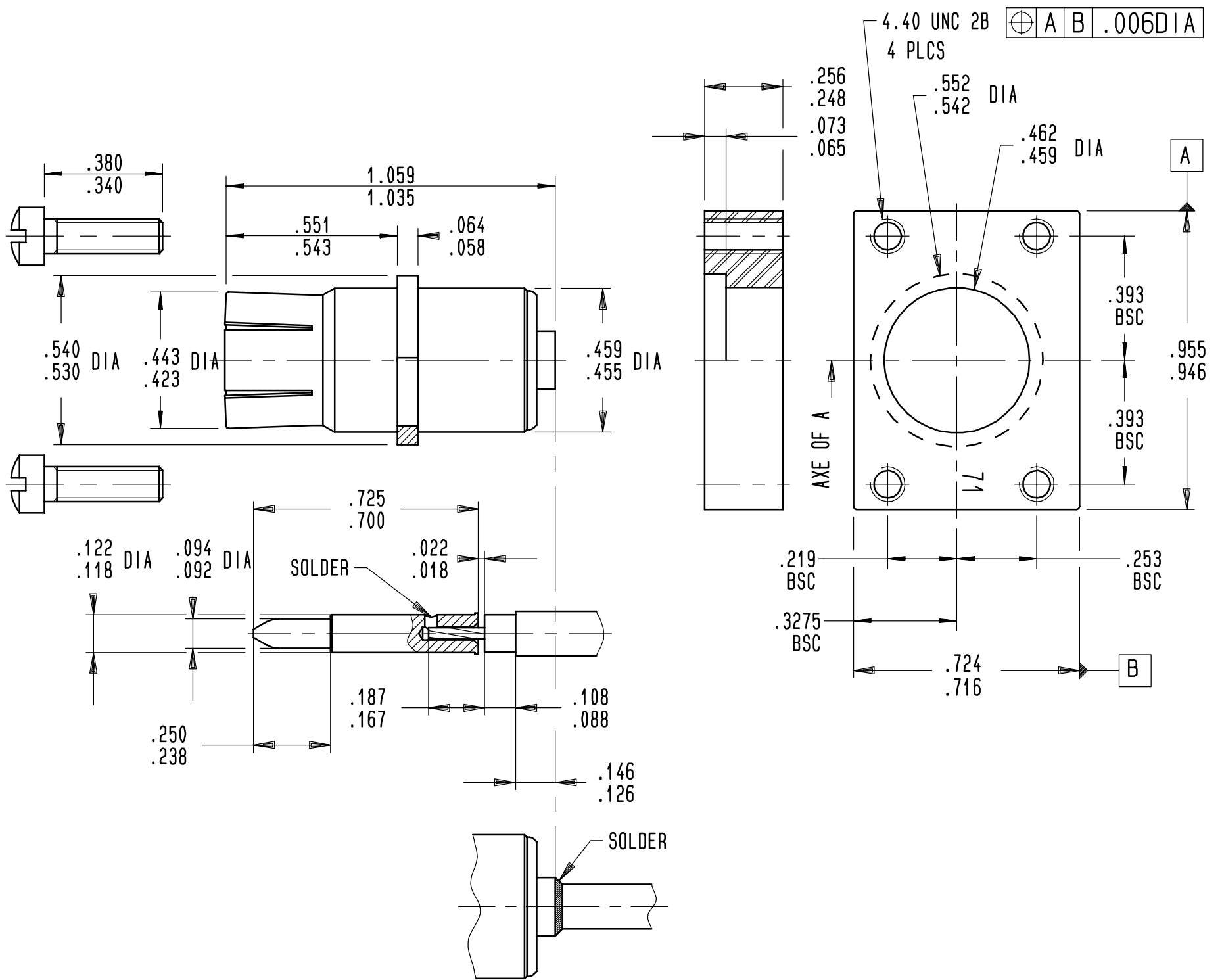


Series
NSX

SIZE 1 SOLDER PIN COAXIAL CONTACT
FOR RG402 AND UT.141 CABLES

Issue:
14 NOV 96

Page
1 / 1



MATERIAL AND FINISH
 BODY CONTACT: BERYLLIUM COPPER-GOLD (.00005) OVER NICKEL UNDERPLATE (.00010)
 INSULATOR: TEFLON
 CENTER CONTACT: BRASS-GOLD (.00005) OVER NICKEL UNDERPLATE (.00010)
 ASSEMBLY PLATE: ALUMINUM ALLOY-BLACK ANODIZED
 SCREWS: STAINLESS STEEL

This information is given as an indication. In the continual goal to improve our products, we reserve the right to make any modifications judged necessary.

4112-9610

CREATION				
PEN: .				
NOM: MACARI				
DATE: 19 FEB 91				
APPR.: .	14 NOV 96	REDRAWN	VALGRESY	.
	Issue	Revisions	Name	Approved