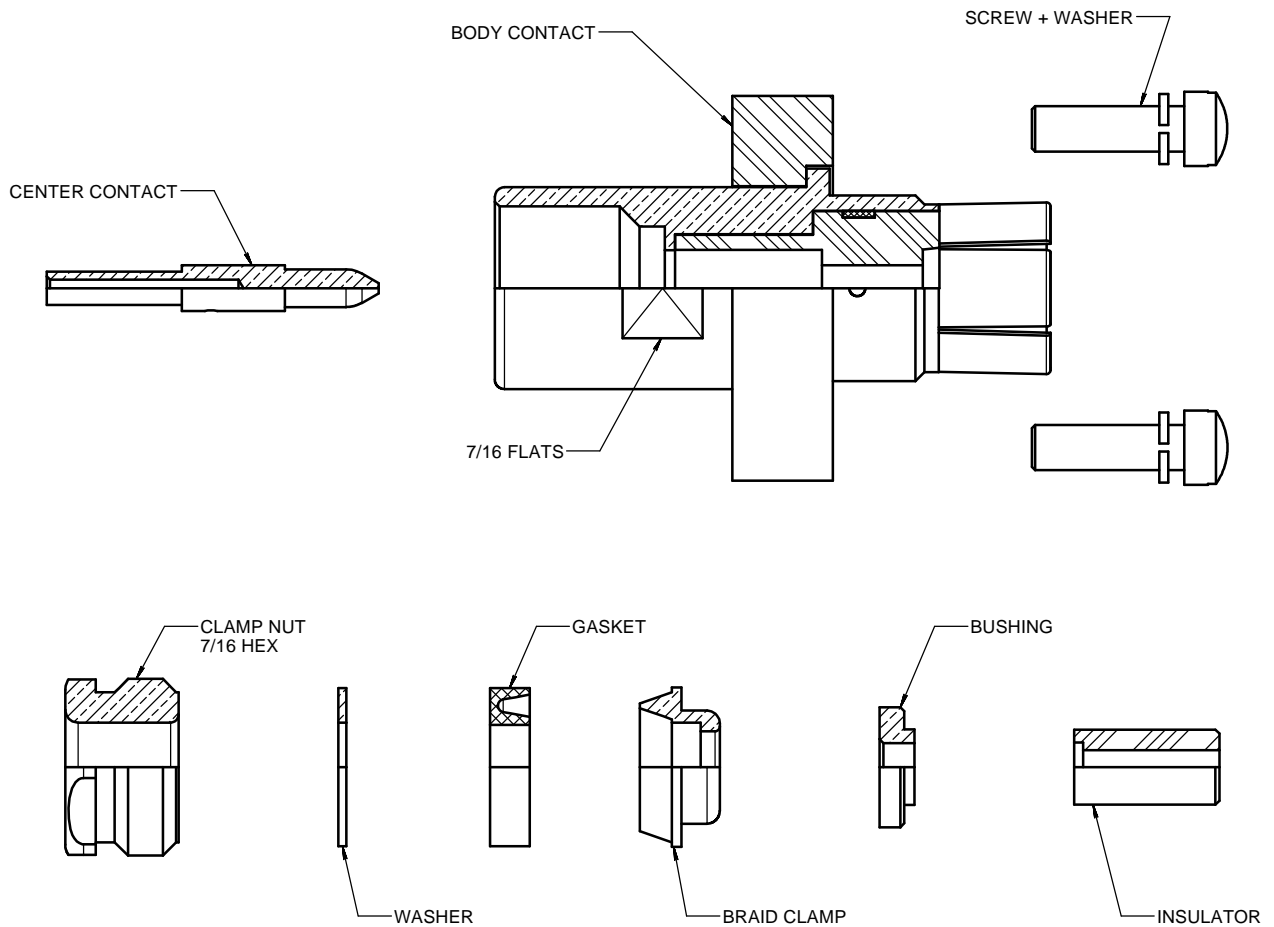


Series
NSX

SIZE 1 PIN COAXIAL CONTACTS
FOR RG142 CABLE / RG400 CABLE / ASNE293XF

Issue:
May 05, 14

Page
1/1



MATERIAL :

OUTER CONTACT, CLAMP NUT, WASHER BUSHING AND BRAID CLAMP : BRASS PER ASTM B 16/B 16M OR EQUIVALENT
 CENTER CONTACT : BERYLIUM COPPER PER ASTM-B-196
 INSULATOR : PTFE PER ASTM-B-1710 OR EQUIVALENT
 RETAINING BLOC : ALUMINIUM ALLOY PER SAE AMS-QQ-A-250
 SPRING, FLAT WASHERS, C'CLIP AND SCREWS : CORROSION RESISTANT MATERIAL
 O'RING AND GASKET : FLUOROSILICONE ELASTOMER PER SAE AMS-R-25988

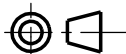
FINISH :

ALL METALIC PARTS : .00005 INCH OF GOLD PER SAE AMS-2422 OVER NICKEL PER SAE AMS-QQ-N-290 (CLASS 2)
 RETAINING BLOC : BLACK ANODIZED PER MIL-A-8625

WIRING INSTRUCTION :

SEE WIRING INSTRUCTION : MI CT 01 00031

DIMENSIONS : mm (inch are given for information only)



Estimated weight : 32 g

This document contains proprietary information and such information shall not be disclosed to any third party for any purpose whatsoever or used for manufacturing purposes without prior written agreement from RADIALL. This information is given as an indication, in the continual goal to improve our products, we reserve the right to make any modifications judged necessary.

4112_9311

CREATION					
PEN: /					
NOM: MARIE	May 05, 14	Remove NGC875BAR-1 cable	Ramos	Dupuis	
DATE: Oct.15, 1985	Sept. 07, 11	Add NGC875BAR-1 cable (validated)	Moutault	Dupuis	
APPR.: /	July 06, 11	Wiring instruction separated and TDS redraw	Moutault	Brochet	
	Issue	Revisions	Name	Approved	