

Series
NSX

SIZE 1 COAXIAL PIN CONTACT
FOR RG214 AND RG393 CABLES
BOEING P/N: BACC47EP-1

Issue:
AUG 01, 2007

Page
1/1

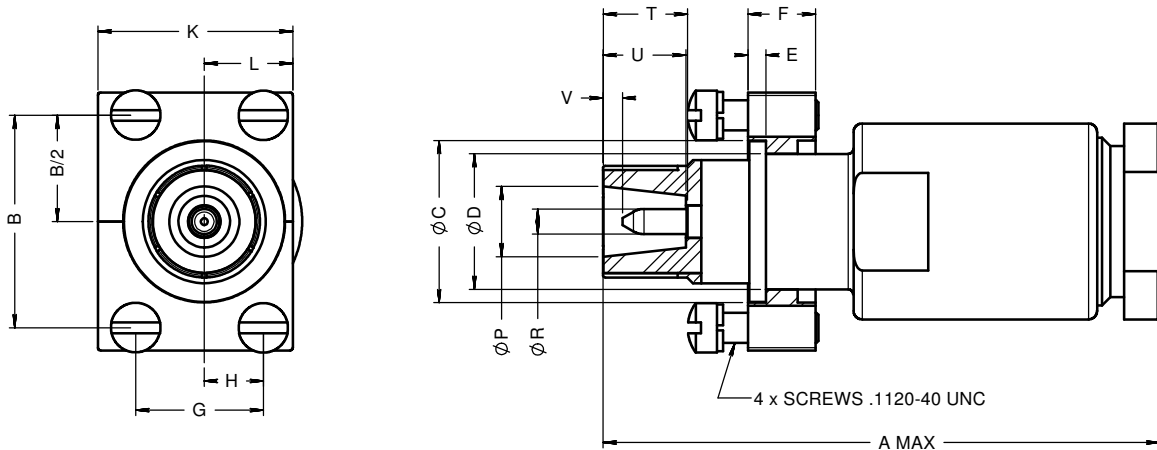
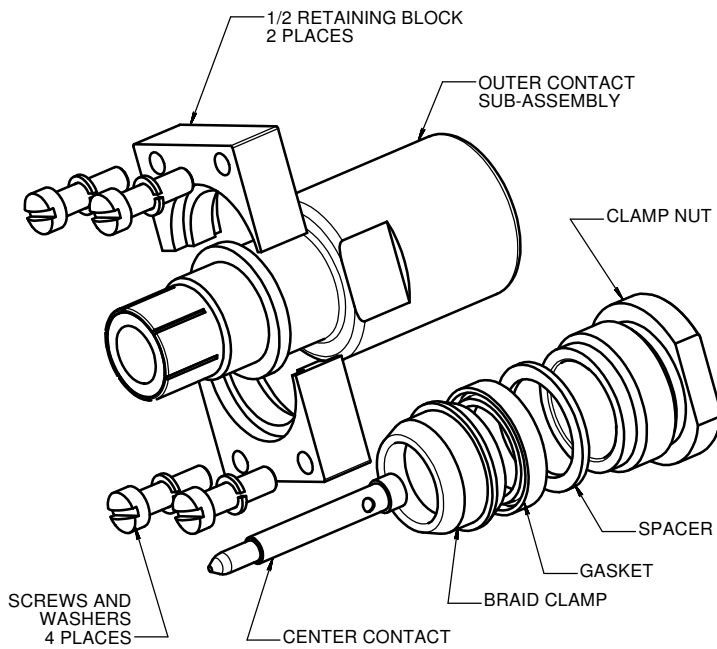


TABLE 1

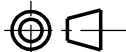
A	B	ØC	ØD	E	F	G	H
55,88(2,20)	20,12(,792)	15,44(,608)	12,93(,509)	1,85(,073)	6,45(,254)	12,11(,477)	5,64(,222)
MAX	19,88(,783)	15,26(,601)	12,78(,503)	1,68(,066)	6,27(,247)	11,89(,468)	5,51(,217)
K	L	N	ØP	ØR	T	U	V
18,36(,723)	8,36(,329)	.1120-40	6,48(,255)	2,39(,094)	7,67(,302)	7,72(,304)	1,67(,066)
18,24(,718)	8,28(,326)	UNC2B	MIN	2,34(,092)	MIN	MIN	MIN



MATERIAL AND FINISH:
 -CENTER CONTACT, BRAID CLAMP, SPACER, AND CLAMP NUT:
 BRASS PER ASTM B 16 OR ASTM B 453 OR EN12164
 GOLD PLATE PER AMS 2422 OVER NICKEL PER QQ N 290
 -OUTER BODY:
 BERYLLIUM COPPER PER ASTM B 196
 GOLD PLATE PER AMS 2422 OVER NICKEL PER QQ N 290
 -INSULATOR:
 PTFE PER ASTM D 1710 OR EQUIVALENT
 GASKET AND O'RING SEALS:
 FLUOROSILICONE PER SAE AMS R 25988
 -RETAINING BLOCK:
 ALUMINUM ALLOY PER AMS QQ A 591
 BLACK ANODIC OXYDATION
 -SCREWS AND WASHERS:
 STAINLESS STEEL
 PASSIVATED

WIRING INSTRUCTIONS: SEE RP7961

DIMENSIONS : mm (inch are given for information only)



This information is given as an indication. In the continual goal to improve our products, we reserve the right to make any modifications judged necessary.

4112_9311

CREATION				
	PEN:			
	NOM: MARIE			
	DATE: OCT 15, 1985			
	AUG 01, 07	REDRAWN	MACARI	BROCHET
APPR.:	Issue	Revisions	Name	Approved