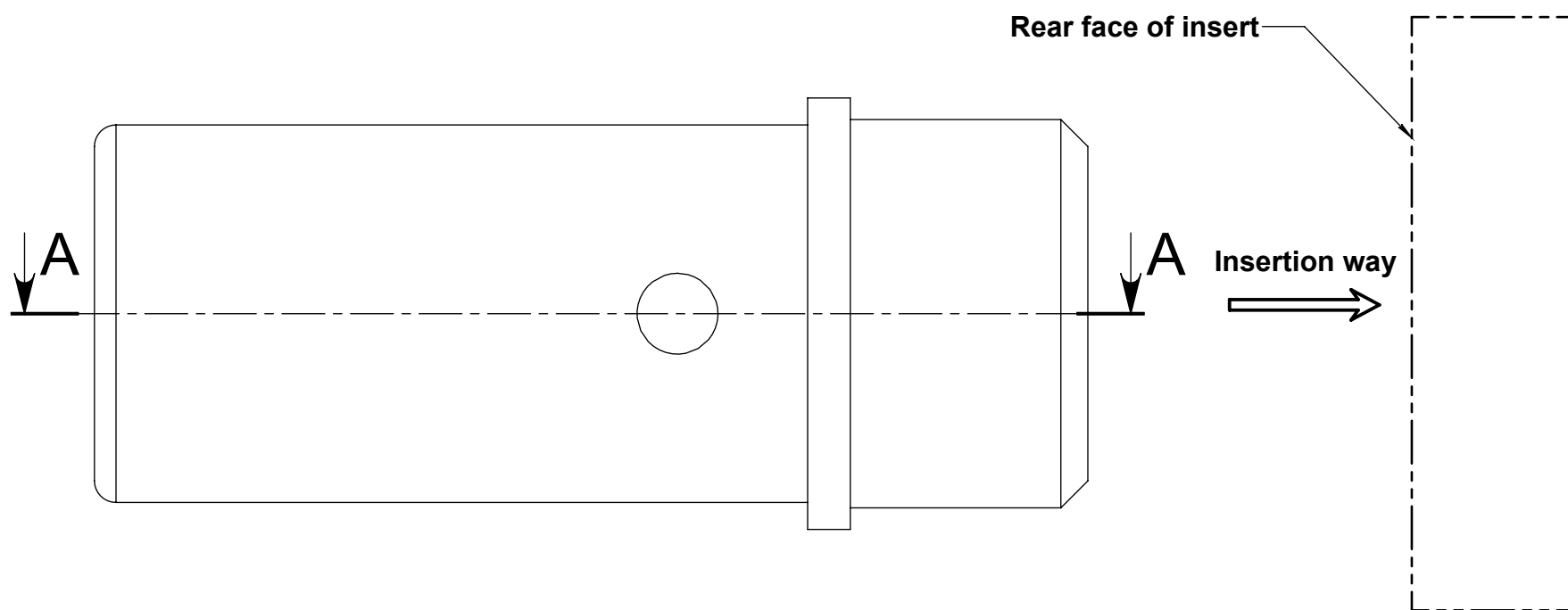
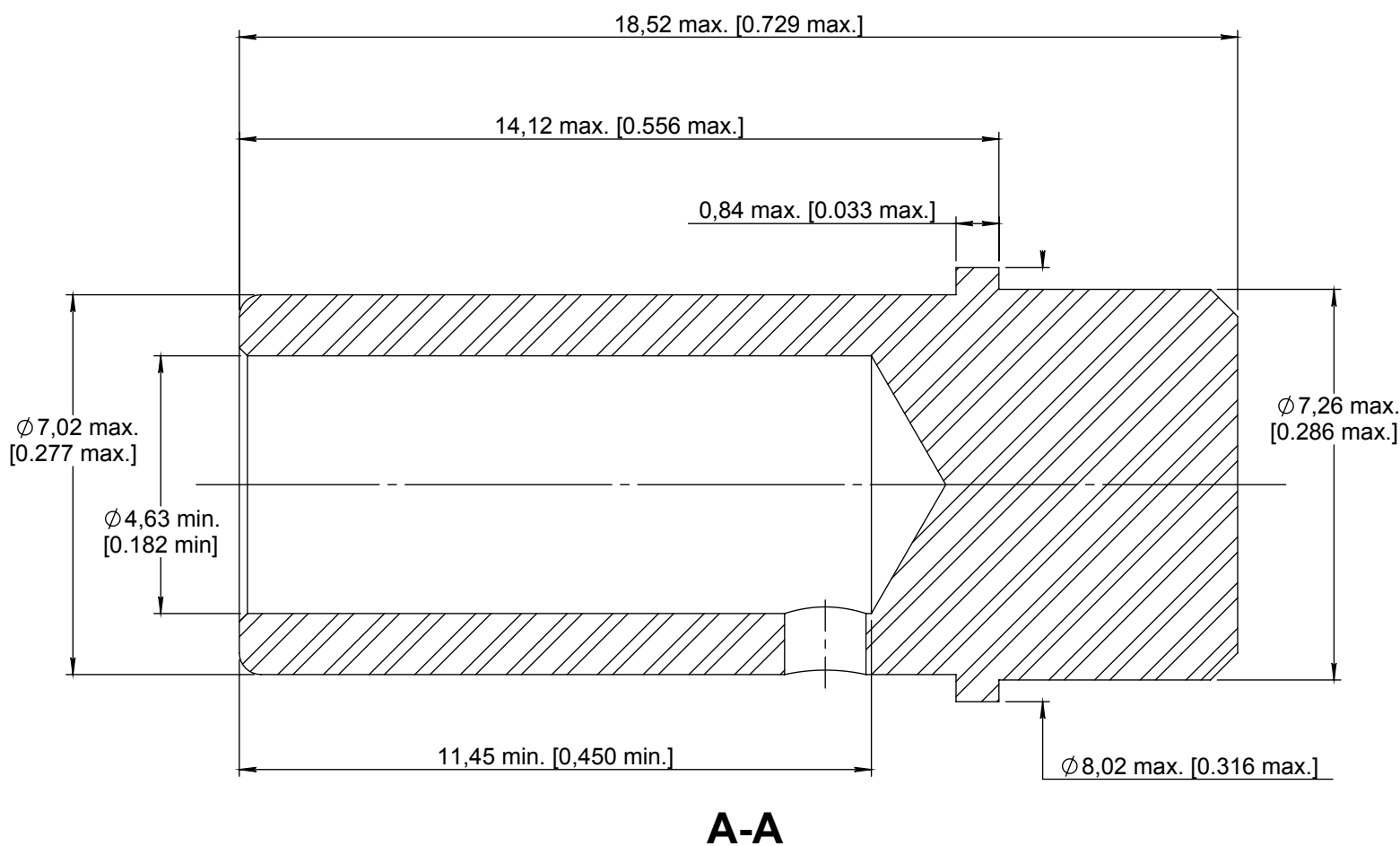


Series  
BPX

SIZE 8 RR/RR CONDUCTIVE FILLER PLUG FOR SOCKET CAVITY

Issue:  
Nov. 30, 2020

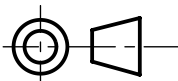
Page  
1/1



**MATERIAL :**  
- ALUMINUM ALLOY PER SAE AMS-QQ-A-250

**FINISH :**  
- ELECTROLESS NICKEL PER SAE AMS-2404

**DIMENSIONS : mm (inch are given for information only)**



Estimated weight : 1,40 g

<b>CREATION</b>  <b>PEN:</b>  <b>NOM:</b> BRANJONNEAU V. <b>DATE:</b> Nov. 30, 2020 <b>APPR.:</b> LEGENDRE T.				
	Issue	Revisions	Name	Approved

This document contains proprietary information and such information shall not be disclosed to any third party for any purpose whatsoever or used for manufacturing purposes without prior written agreement from RADIALL. This information is given as an indication. In the continual goal to improve our products, we reserve the right to make any modifications judged necessary.

4112\_9311