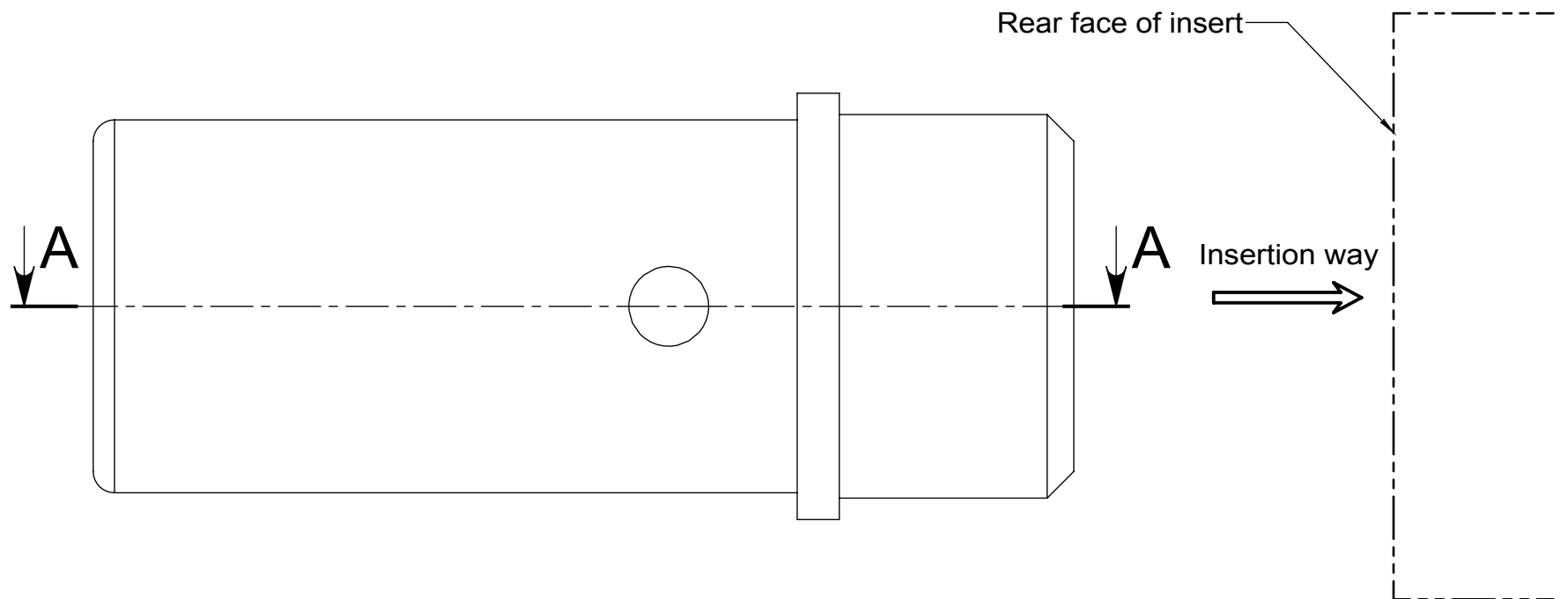
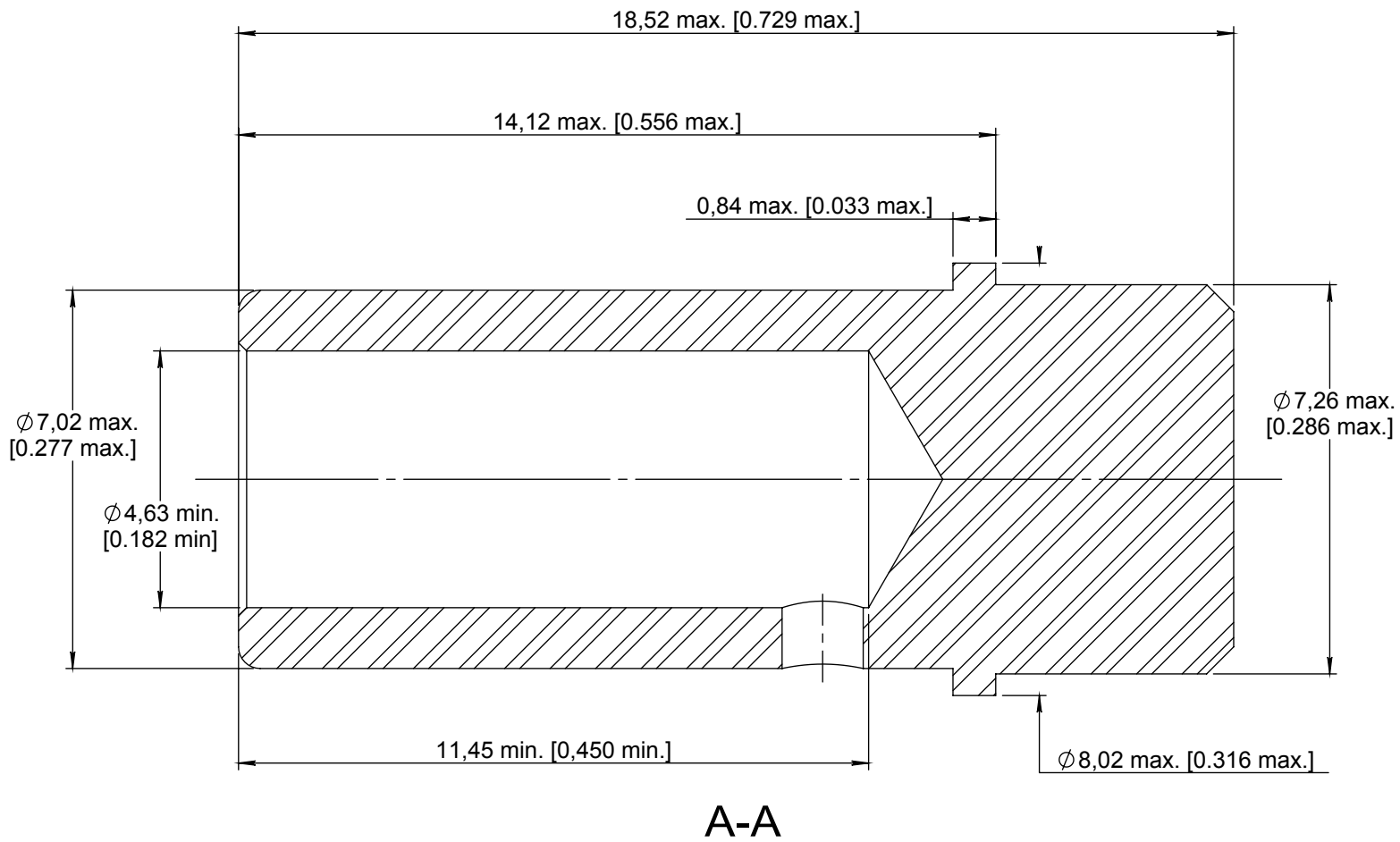


Series  
BPX

SIZE 8 RR/RR CONDUCTIVE FILLER PLUG FOR SOCKET CAVITY

Issue:  
Dec. 02, 2013

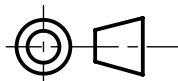
Page  
1/1



**MATERIAL :**  
- ALUMINUM ALLOY PER SAE AMS-QQ-A-250

**FINISH :**  
- ELECTROLESS NICKEL PER SAE AMS-2404

DIMENSIONS : mm (inch are given for information only)



Confidential information not to be disclosed to third parties without Radiall approval. This information is given as an indication. In the continual goal to improve our products, we reserve the right to make any modifications judged necessary.

4112\_9311

CREATION				
PEN:				
NOM: MACARI JP.	Dec. 02, 13	Added "Insertion way"	Legendre T.	Dupuis V.
DATE: Oct. 23, 1991	Nov. 12, 09	Updated "Material and finish"	Legendre T.	Brochet L.
APPR.:	Aug. 03, 09	Title updated	Malty	Pessard
	Apr. 23, 09	Updated with mm dimensions	Malty	LeGloahec
	Issue	Revisions	Name	Approved