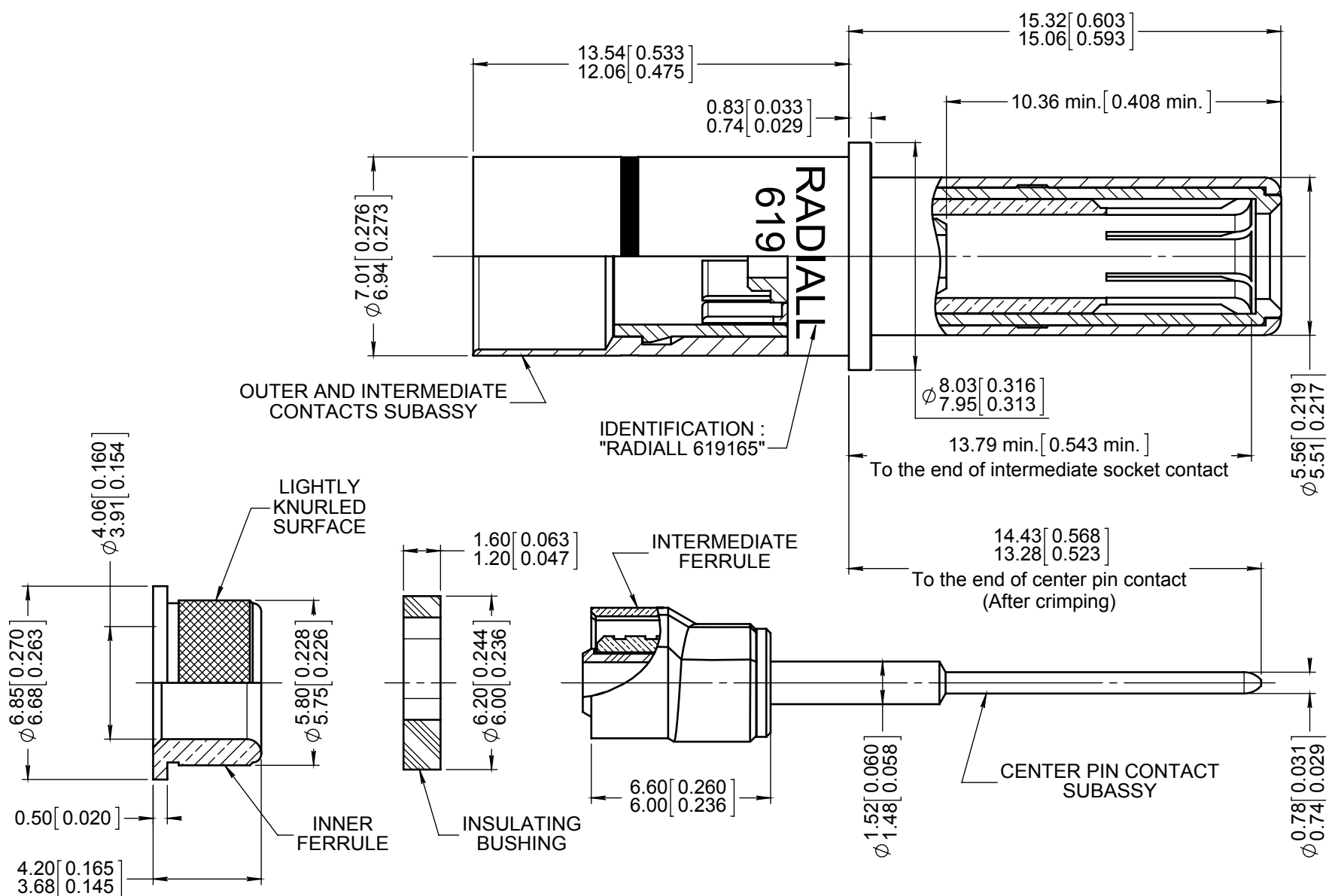


Series
BPX

REAR RELEASE, REAR REMOVABLE SIZE 8 CONCENTRIC TWINAX CRIMP PIN CONTACT
CABLE P/N : S280W502-1
BOEING P/N : S280W552-203

Issue:
June 19, 2013

Page
1/1



MATERIAL:

- OUTER AND INTERMEDIATE CONTACTS : BERYLLIUM COPPER PER ASTM B 196
- CENTER CONTACT : LEADED NICKEL COPPER
- INTERMEDIATE AND INNER FERRULE : BRASS PER ASTM B 16 OR ASTM B 453 OR EN 12164
- OUTER DIELECTRIC, CENTER DIELECTRIC AND INSULATING BUSHING : PTFE PER ASTM D 1710 OR EQUIVALENT

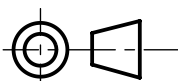
FINISH:

- ALL METAL PARTS : PLATING .00005 INCH OF GOLD PER MIL-DTL-45204 OVER NICKEL PER AMS 2403

NOTES:

- WIRING INSTRUCTIONS : RP08820

DIMENSIONS : mm (inch are given for information only)



Estimated weight : 2.35 g

CREATION				
PEN: /				
NOM: MACARI JP.				
DATE: April 29, 1994	June 19, 13	Redrawn and corrected material and finish	Legendre T.	Dupuis V.
APPR.:	May 03, 13	Updated outer dielectric material	Legendre T.	Dupuis V.
	Issue	Revisions	Name	Approved

This document contains proprietary information and such information shall not be disclosed to any third party for any purpose whatsoever or used for manufacturing purposes without prior written agreement from RADIALL. This information is given as an indication. In the continual goal to improve our products, we reserve the right to make any modifications judged necessary.

4112_9311