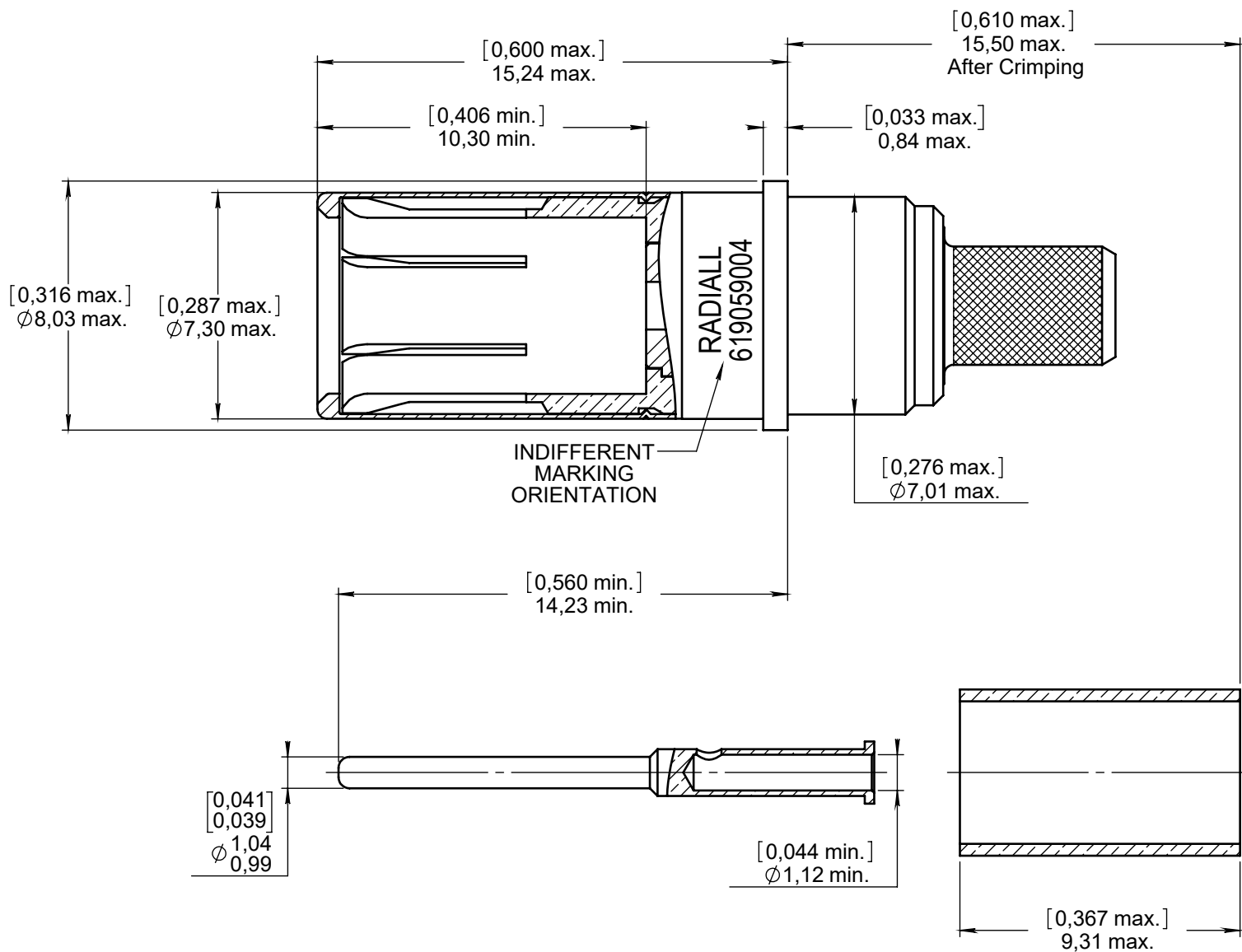


**Series
BPX**
**NON ENVIRONMENTAL SIZE 8 CRIMP SOCKET COAX CONTACT
FOR EN4604-006WM CABLE**
**Issue:
July 26, 2018**
**Page
1/1**

MATERIAL:

OUTER CONTACT: BERYLLIUM COPPER PER ASTM B-196
 CENTER CONTACT: BRASS PER QQ-B-626
 FERRULE : BRASS PER QQ-B-626
 PROTECTIVE SLEEVE: STAINLESS STEEL PER SAE AMS-5514
 DIELECTRIC : TPE PER ASTM-D-1710 OR EQUIVALENT

FINISH :

ALL METAL PARTS (except protective sleeve): GOLD PER SAE AMS-2422 (TYPE I OR II ,GRADE C OR D AND CLASS 1) OVER NICKEL PER AMS-2403

DESIGN REQUIREMENT :

TEMPERATURE RANGE : -65°C to +125°C
 IMPEDANCE : 50 OHMS NOMINAL
 RATED VOLTAGE AT SEA LEVEL : 325V RMS AT SEA LEVEL
 DIELECTRIC WITHSTANDING VOLTAGE : 750V RMS AT SEA LEVEL
 FREQUENCY RANGE : 0 to 500 MHZ
 VSWR:
 - 1.10:1 AT 0 TO 300 MHZ
 - 1.30:1 AT 0 TO 500 MHZ

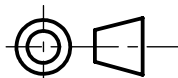
TOOLING :

CENTER CONTACT :
 - CRIMPING TOOL M22520/2-01 (RADIALL P/N 282281)
 - POSITIONER: DANIELS K1025-S (RADIALL P/N 282587)

FERRULE :
 - CRIMPING TOOL : M22520/5-01 (RADIALL P/N 282293)
 - DIE : M22520/5-05 (RADIALL P/N 282246) HEX B (4,52 mm sur plats / .178" on flats)

EXTRACTION TOOL: M81969/28-03 (RADIALL P/N 282549001)

WIRING INSTRUCTIONS : RP55588

DIMENSIONS : mm (inch are given for information only)


Estimated weight : 4 g

CREATION PEN: 20188515-10A NOM: Zuniga F. DATE: June 28, 2018 APPR.: Ramos D.				
	July 26, 18	Updated TDS, Dimensions and Tools	Legendre T.	Branjonneau
	Issue	Revisions	Name	Approved

619059004EN

RADIALL PROPRIETARY INFORMATION

This document contains proprietary information and such information shall not be disclosed to any third party for any purpose whatsoever or used for manufacturing purposes without prior written agreement from RADIALL. This information is given as an indication. In the continual goal to improve our products, we reserve the right to make any modifications judged necessary.

4112_9311