

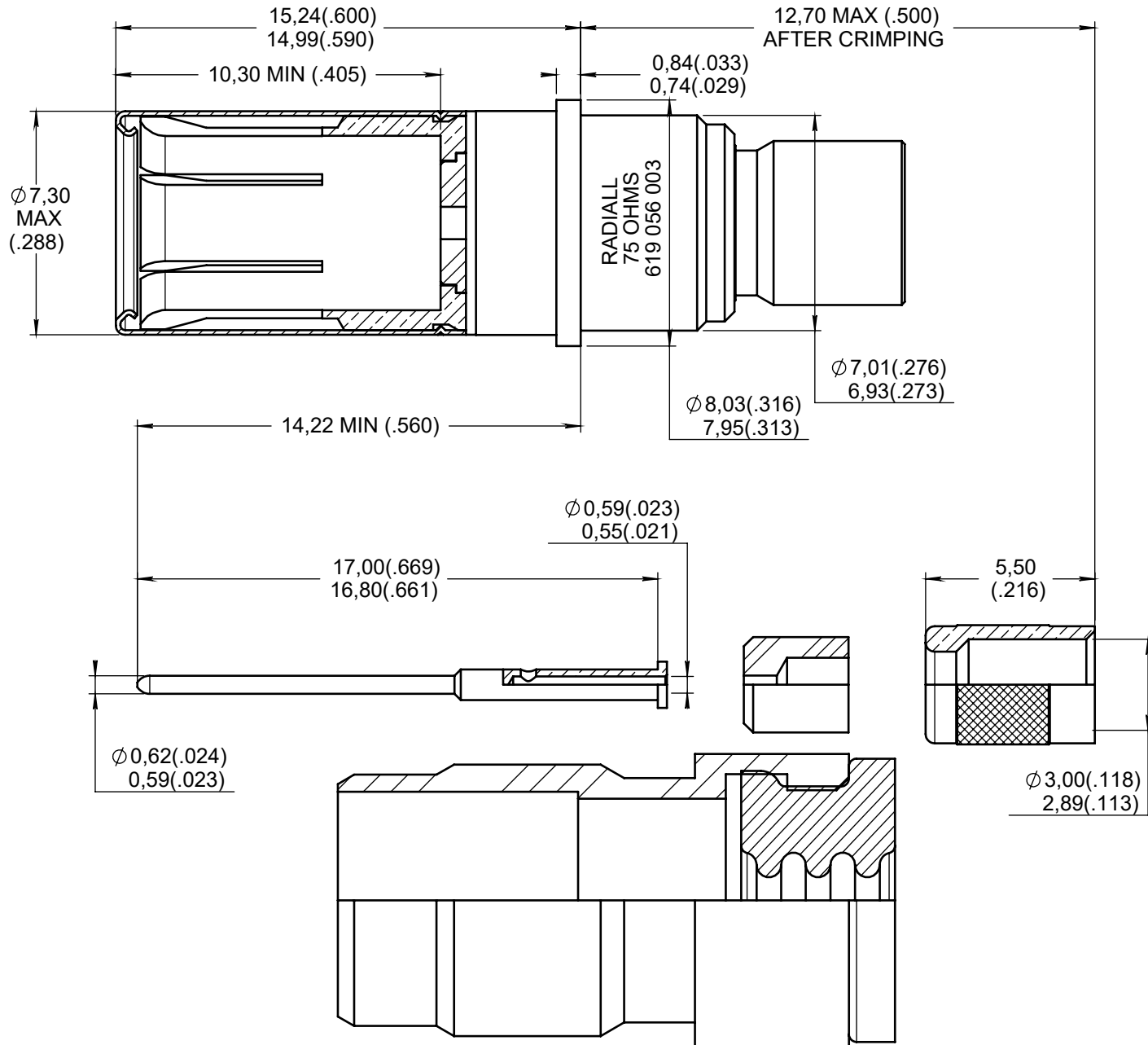
Series  
BPX

ENVIRONMENTAL SIZE 8 COAX SOCKET CONTACT 75 OHMS  
FOR RG 179, RG187 AND ASNE0690WL CABLES

Issue:  
Oct. 21, 2014

Page  
1/1

**MATED ONLY WITH SIZE 8 PIN COAX CONTACT 75 OHMS**



**MATERIAL:**  
 OUTER AND CENTER CONTACT: BERYLLIUM COPPER PER ASTM-B-196  
 PROTECTIVE SLEEVE: STAINLESS STEEL PER AISI 305  
 FERRULE: BRASS PER QQ-B-626  
 DIELECTRIC: PTFE PER ASTM-D-1710 OR EQUIVALENT  
 SEALING BOOT: THERMOPLASTIC PER MIL-P-46184 AND FLUOROSILICONE PER MIL-R-25988 OR PER ZZ-R-765

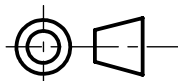
**FINISH:**  
 ALL METAL PARTS: GOLD PER MIL-G-45204, TYPE I OR II, GRADE C OR D, CLASS 1 OVER NICKEL PER QQ-N-290

**DESIGN REQUIREMENT**  
 TEMPERATURE RANGE: -65°C TO +125°C  
 IMPEDANCE: 75 OHMS NOMINAL  
 DIELECTRIC WITHSTANDING VOLTAGE: 750V AC RMS AT SEA LEVEL ( BETWEEN OUTER AND CENTER CONTACT )  
 INSULATION RESISTANCE: >5000 MOhms ( BETWEEN OUTER AND CENTER CONTACT )  
 CENTER CONTACT RESISTANCE : <5 mOhms  
 OUTER CONTACT RESISTANCE : <1 mOhm  
 FREQUENCY RANGE: 0 TO 1500MHz  
 VSWR: 1,10 AT 0 TO 500MHz  
 VSWR: 1,30 AT 0,5 TO 1500MHz

EXTRACTION TOOL: M81969/28-03 (RADIALL 282 549 001)

WIRING INSTRUCTIONS: SEE RP55626

**DIMENSIONS : mm (inch are given for information only)**



Estimated weight : 3.38 g

This document contains proprietary information and such information shall not be disclosed to any third party for any purpose whatsoever or used for manufacturing purposes without prior written agreement from RADIALL. This information is given as an indication. In the continual goal to improve our products, we reserve the right to make any modifications judged necessary.

4112\_9311

<b>CREATION</b>				
<b>PEN:</b>				
<b>NOM: MACARI</b>				
<b>DATE: April 02, 2008</b>	Oct. 21, 2014	Marking position displacement	ZUNIGA	RAMOS
<b>APPR.: LEGENDRE</b>	Issue	Revisions	Name	Approved

619056003EN

**RADIALL PROPRIETARY INFORMATION**