

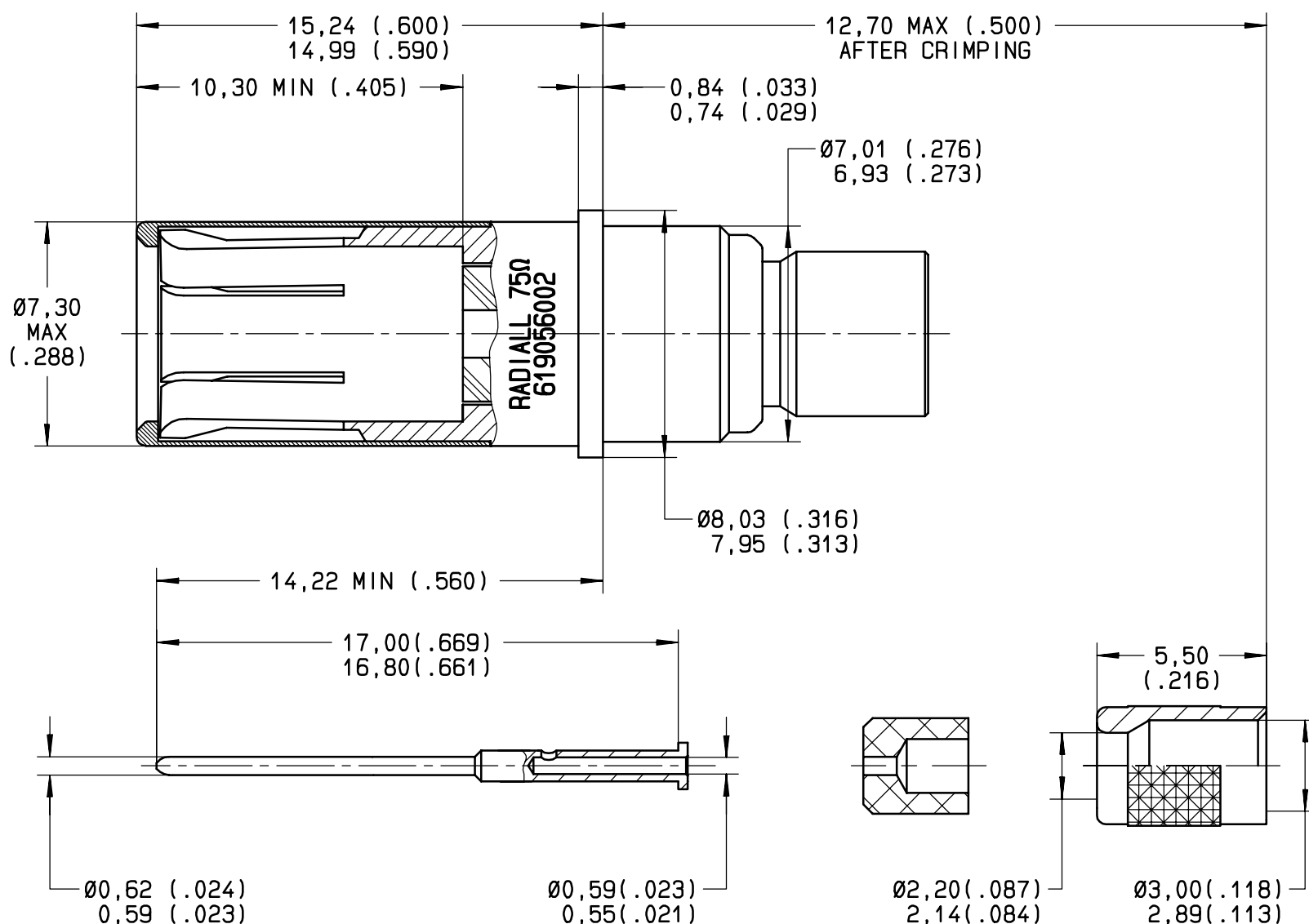


Series
BPX

SIZE 8 CRIMP COAX SOCKET CONTACT 75Ω
FOR RG179, RG187 AND ASNE0690WL CABLES
MATED ONLY WITH SIZE 8 PIN CONTACT 75Ω

Issue:
06 JUNE 2003

Page
1 / 1



MATERIAL:

PROTECTIVE HOOD : STAINLESS STEEL PER AISI 305
OUTER AND CENTER CONTACT : BERYLLIUM COPPER PER ASTM-B-196
FERRULE: BRASS PER QQ-B-626
DIELECTRIC: PTFE PER ASTM-D-1710 OR EQUIVALENT

FINISH:

ALL METAL PARTS: GOLD PER MIL-G-45204 TYPE I OR II, GRADE C OR D, CLASS 1 OVER NICKEL PER QQ-N-290

DESIGN REQUIREMENT

TEMPERATURE RANGE: -65°C +125°C
IMPEDANCE: 75 Ω NOMINAL
DIELECTRIC WITHSTANDING VOLTAGE: 750 V AC RMS AT SEA LEVEL
(BETWEEN CENTER AND OUTER CONTACT)
INSULATION RESISTANCE : > 5 000 MΩ
(BETWEEN CENTER AND OUTER CONTACT)
CENTER CONTACT RESISTANCE : < 5 mΩ
OUTER CONTACT RESISTANCE : < 1 mΩ
FREQUENCY RANGE: 0 TO 1500MHz
VSWR: 1.10/1 AT 0 TO 500MHz
VSWR: 1.30/1 AT 0,5 TO 1500MGHz

TOOLING:

CENTER CONTACT: CRIMPING TOOL M22520/2-01 (RADIALL 282281)
SELECTOR ON 3 FOR RG179 CABLE
3 FOR RG187 CABLE
3 FOR ASNE0690WL CABLE
POSITIONER 282593
FERRULE: CRIMPING TOOL M22520/5-01 (RADIALL 282293)
DIE M22520/5-05 (RADIALL 282246)
HEX B 4,50 (.178) / FLATS

EXTRACTION TOOL: M81969/28-03 (RADIALL 282549001)

WIRING INSTRUCTIONS: SEE RP55626

(DIMENSIONS IN BRACKETS ARE IN INCHES)

This information is given as an indication. In the continual goal to improve our products, we reserve the right to make any modifications judged necessary.

4112-9610

CREATION
PEN: M000400054B
NOM: DUPUIS	06 JUN 03	UPDATED MATERIAL	DUPUIS	LAHOREAU
DATE: 18 JULY 01	02 MAY 03	UPDATED DESIGN REQUIREMENT	DUPUIS	LAHOREAU
APPR.: MACARI	20 MAR 02	619056002 WAS RP55641	DUPUIS	MACARI
	Issue	Revisions	Name	Approved