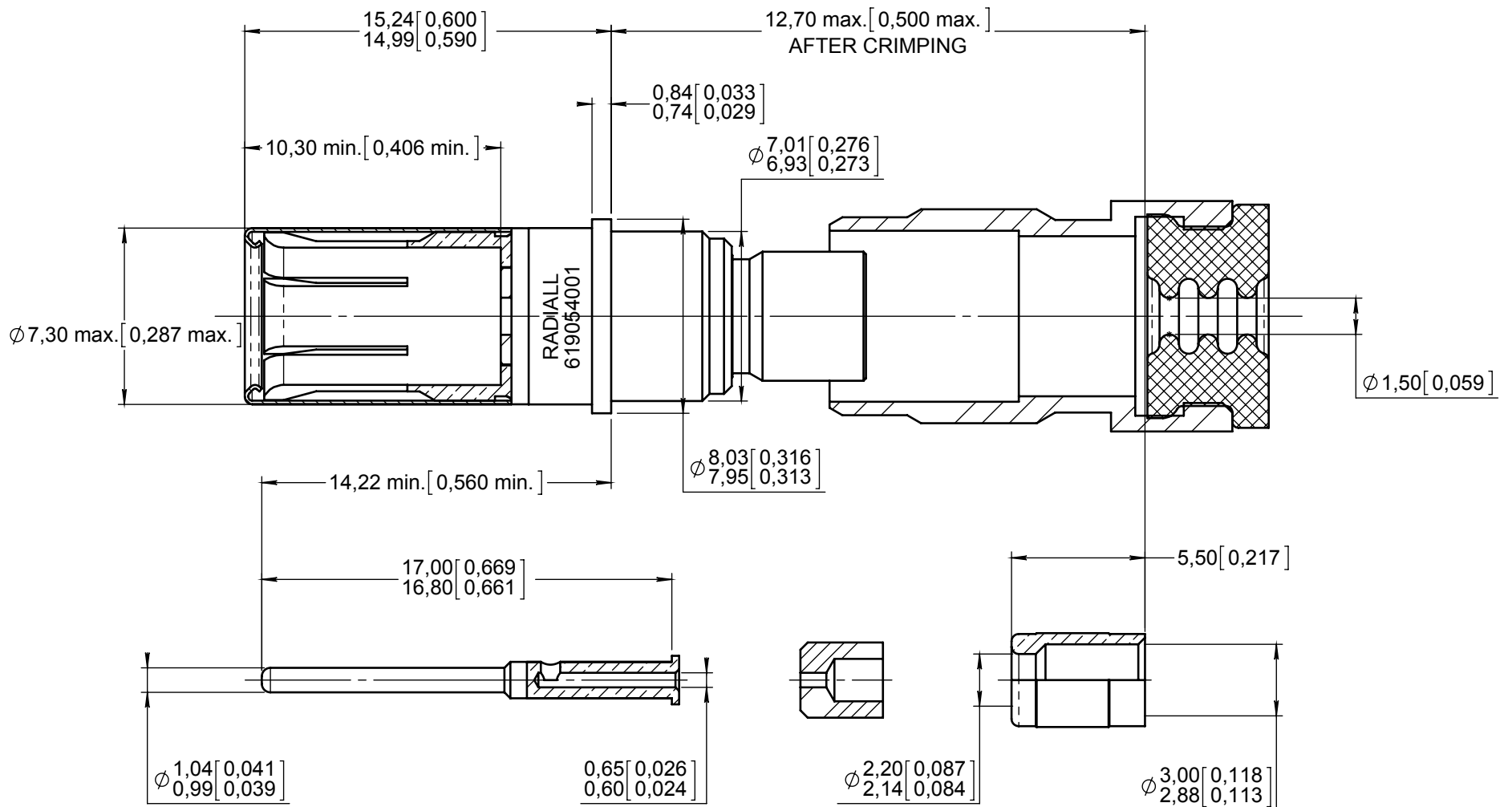


Series  
BPX

ENVIRONMENTAL SIZE 8 CRIMP COAX SOCKET CONTACT  
FOR RG316, KX22, RG179, ASNE0639XY AND FILOTEX ET 124962 CABLE

Issue:  
July. 10, 2013

Page  
1/1



**MATERIAL:**  
 OUTER CONTACT: BERYLLIUM COPPER PER ASTM-B-196  
 CENTER CONTACT : BRASS PER QQ-B-626  
 FERRULE: BRASS PER QQ-B-626  
 PROTECTIVE SLEEVE: STAINLESS STEEL PER AISI 305  
 DIELECTRIC: PTFE PER ASTM-D-1710 OR EQUIVALENT  
 SEALING BOOT: FLUOROSILICONE PER MIL-R-25988 OR PER ZZ-R-765

**FINISH:**  
 ALL METAL PARTS: GOLD PER MIL-G-45204, TYPE I OR II, GRADE C OR D, CLASS 1 OVER NICKEL PER QQ-N-290

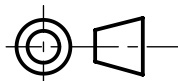
**DESIGN REQUIREMENT**  
 TEMPERATURE RANGE: -65°C TO +125°C  
 IMPEDANCE: 50 OHMS NOMINAL  
 RATED VOLTAGE AT SEA LEVEL : 325 V RMS AT SEA LEVEL (TBV)  
 DIELECTRIC WITHSTANDING VOLTAGE: 750 V RMS AT SEA LEVEL (TBV)  
 FREQUENCY RANGE: 0 TO 500MHz  
 VSWR: 1,10/1 AT 0 TO 300MHz (TBV)  
 VSWR: 1,30/1 AT 300 TO 500MHz (TBV)

**TOOLING:**  
 CENTER CONTACT : CRIMPING TOOL M22520/2-01 (RADIALL 282281)  
 POSITIONER 282587 (DANIELS K1025-S)  
 FERRULE : CRIMPING TOOL M22520/5-01 (RADIALL 282293)  
 DIE M22520/5-05 (RADIALL 282246)  
 HEX B 4,50 (.178) / FLATS

EXTRACTION TOOL : M81969/28-03 (RADIALL 282549001)

WIRING INSTRUCTIONS: SEE RP55626

DIMENSIONS : mm (inch are given for information only)



Estimated weight : 4.60 g

CREATION				
PEN: .				
NOM: MACARI				
DATE: Dec. 13, 2001	July. 10, 13	Add Filotex ET 124962 cable	Moutault	Dupuis
APPR.: DUPUIS	Sept. 16, 03	Add RG179 cable	Macari	Dupuis
	Issue	Revisions	Name	Approved