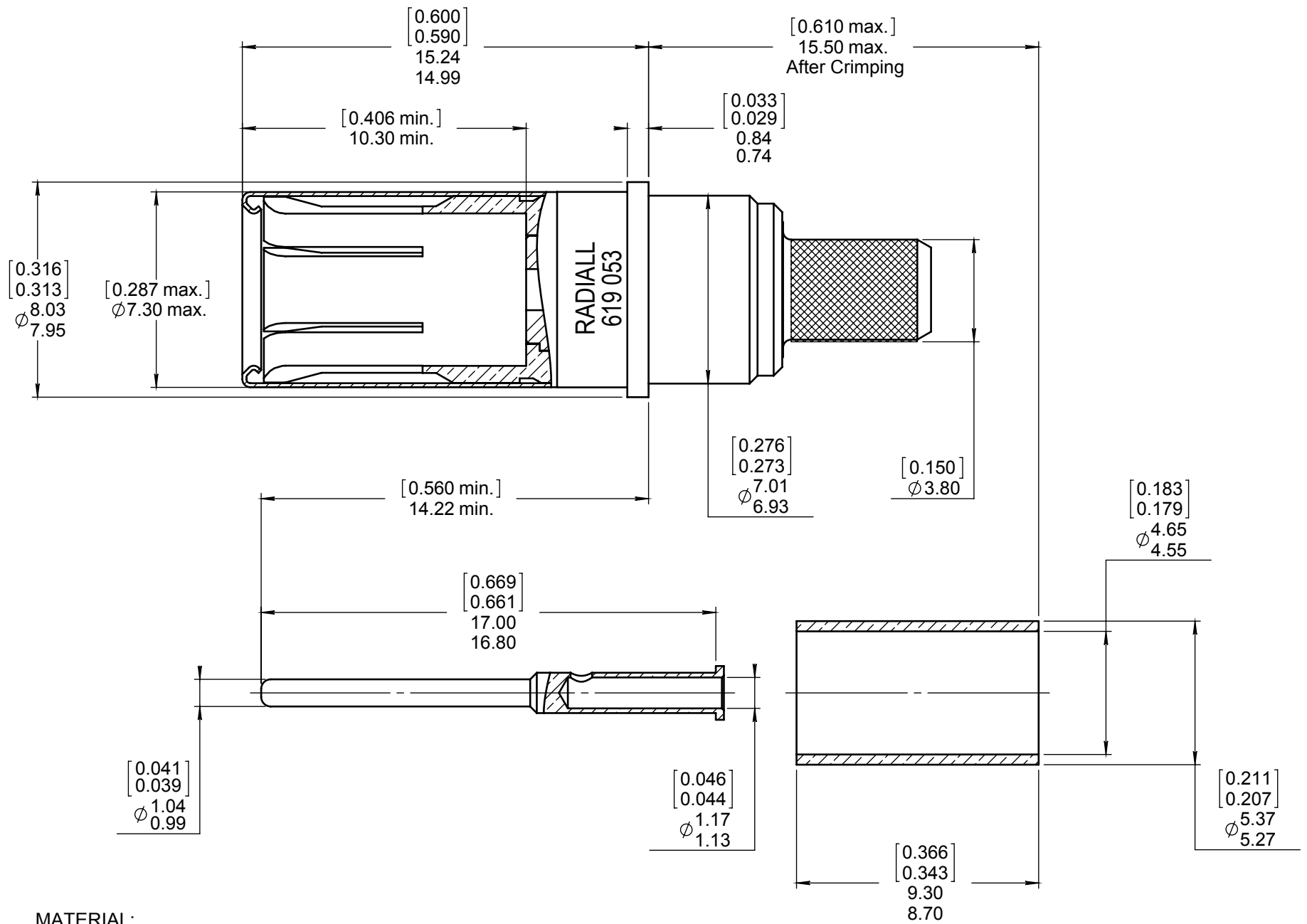


Series  
BPX

NON ENVIRONMENTAL SIZE 8 CRIMP SOCKET COAX CONTACT  
FOR GORE GSC-03-81748-00 AND RAYCHEM CHEMINAX 5019D3618 CABLES

Issue:  
May 07, 2013

Page  
1/1



**MATERIAL:**

OUTER CONTACT: BERYLLIUM COPPER PER ASTM B-196  
CENTER CONTACT: BRASS PER QQ-B-626  
FERRULE : BRASS PER QQ-B-626  
PROTECTIVE SLEEVE: STAINLESS STEEL PER SAE AMS-5514  
DIELECTRIC : TPFE PER ASTM-D-1710 OR EQUIVALENT

**FINISH :**

ALL METAL PARTS: GOLD PER SAE AMS-2422 (TYPE I OR II ,GRADE C OR D AND CLASS 1) OVER NICKEL PER AMS-2403

**DESIGN REQUIREMENT :**

TEMPERATURE RANGE : -65°C +125°C  
IMPEDANCE : 50 OHM NOMINAL  
RATED VOLTAGE AT SEA LEVEL : 325 V RMS AT SEA LEVEL  
DIELECTRIC WITHSTANDING VOLTAGE : 750 V RMS AT SEA LEVEL  
FREQUENCY RANGE : 0 TO 500 MHZ  
VSWR : 1.10/1 AT 0 TO 300 MHZ  
VSWR : 1.30/1 AT 0 TO 500 MHZ

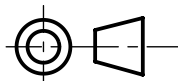
**TOOLING :**

CENTER CONTACT : CRIMPING TOOL M22520/2-01 ( RADIALL P/N 282281)  
POSITIONER: DANIELS K1025-S (RADIALL P/N 282587)  
  
FERRULE : CRIMPING TOOL M22520/5-01 ( RADIALL P/N 282293)  
DIE : M22520/5-05 (RADIALL P/N 282246)  
HEX B 4,50(.178) ON FLATS  
  
EXTRACTION TOOL: M81969/28-03 (RADIALL P/N 282549001)

**WIRING INSTRUCTIONS :**

FOR GORE GSC-03-81748-00 CABLE : SEE MICT0100024  
FOR RAYCHEM CHEMINAX 5019D3618 CABLE : SEE RP55588

DIMENSIONS : mm (inch are given for information only)



Estimated weight : 4 g

CREATION				
PEN:				
NOM: Macari	May 07, 13	Raychem Cheminax 5019D3618 cable added	Branjonneau	Dupuis
DATE: June 11, 2001	Dec. 13, 01	Updated	Macari	Dupuis
APPR.: Dupuis	Aug. 08, 01	P/N 619053 was RP55575	Macari	Dupuis
	Issue	Revisions	Name	Approved

619053EN

RADIALL PROPRIETARY INFORMATION

This document contains proprietary information and such information shall not be disclosed to any third party for any purpose whatsoever or used for manufacturing purposes without prior written agreement from RADIALL. This information is given as an indication. In the continual goal to improve our products, we reserve the right to make any modifications judged necessary.

4112\_9311