

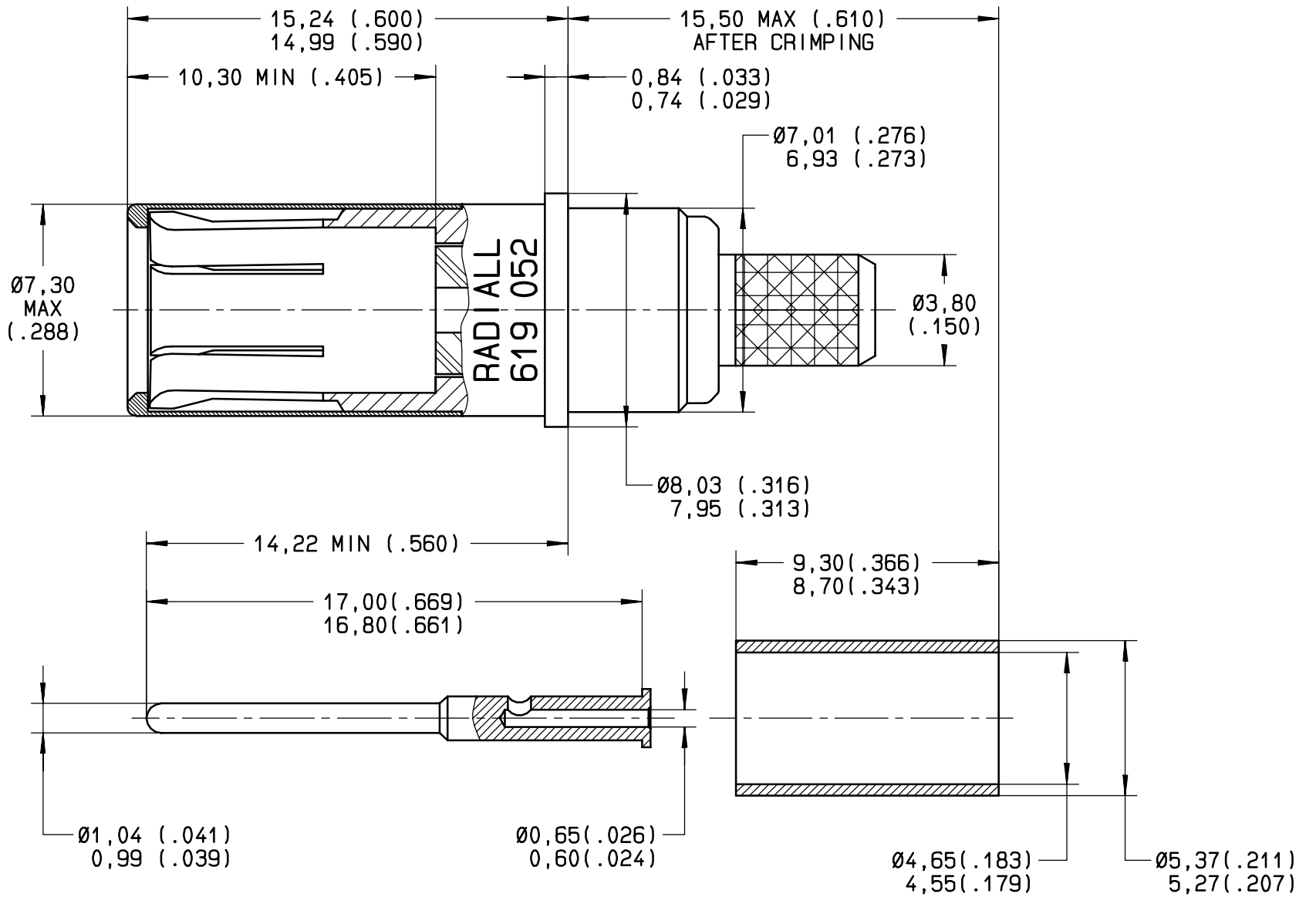


Series  
BPX

SIZE 8 CRIMP COAX SOCKET CONTACT  
FOR RG180 AND RG195 CABLES

Issue:  
13 DEC.01

Page  
1 / 1



**MATERIAL:**

OUTER CONTACT: BERYLLIUM COPPER PER ASTM-B-196  
CENTER CONTACT: BRASS PER QQ-B-626  
FERRULE: BRASS PER QQ-B-626  
PROTECTIVE SLEEVE: STAINLESS STEEL PER AISI 305  
DIELECTRIC: TPE PER ASTM-D-1710 OR EQUIVALENT

**FINISH:**

ALL METAL PARTS: GOLD PER MIL-G-45204 TYPE I OR II, GRADE C OR D, CLASS 1 OVER NICKEL PER QQ-N-290

**DESIGN REQUIREMENT**

TEMPERATURE RANGE: -65°C +125°C  
IMPEDANCE: 50Ω NOMINAL  
RATED VOLTAGE AT SEA LEVEL: 325 V RMS AT SEA LEVEL (TBV)  
DIELECTRIC WITHSTANDING VOLTAGE: 750 V RMS AT SEA LEVEL (TBV)  
FREQUENCY RANGE: 0 TO 500MHz  
VSWR: 1.10/1 AT 0 TO 300MHz (TBV)  
VSWR: 1.30/1 AT 300 TO 500MHz (TBV)

**TOOLING:**

CENTER CONTACT: CRIMPING TOOL M22520/2-01 (RADIALL 282281)  
POSITIONER 282587 (DANIELS K1025-S)  
FERRULE: CRIMPING TOOL M22520/5-01 (RADIALL 282293)  
DIE M22520/5-05 (RADIALL 282246)  
HEX B 4,50 (.178) / FLATS

EXTRACTION TOOL: M81969/28-03 (RADIALL 282549001)

WIRING INSTRUCTIONS: SEE RP55588

This information is given as an indication. In the continual goal to improve our products, we reserve the right to make any modifications judged necessary.

4112-9610

CREATION	.	.	.	.
PEN: .	.	.	.	.
NOM: MACARI	.	.	.	.
DATE: 11 JUNE 01	13 DEC.01	UPDATED	MACARI	.
APPR.: DUPUIS	08 AUG.01	P/N 619 052 WAS RP55574	MACARI	DUPUIS
	Issue	Revisions	Name	Approved