

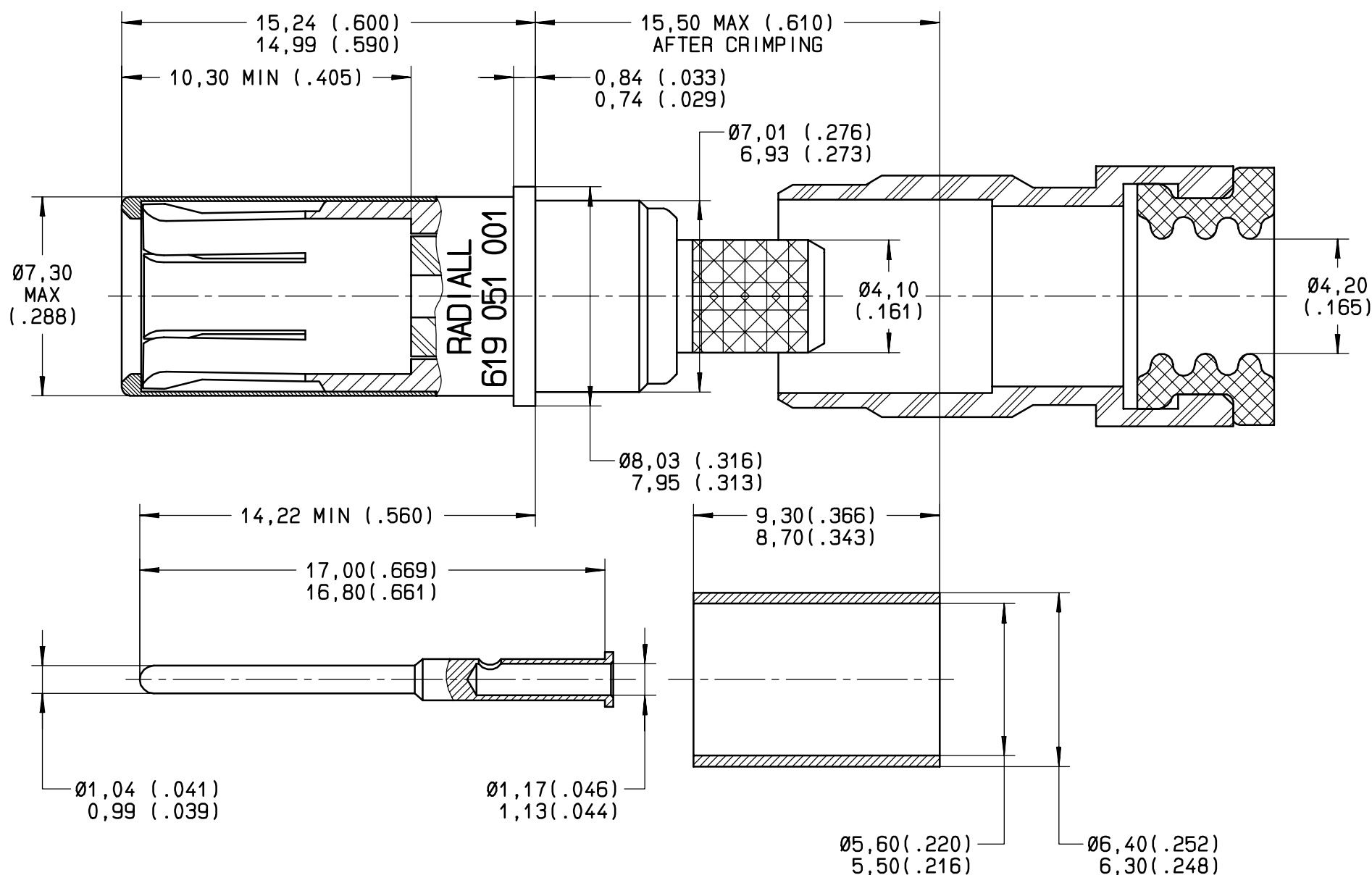


Series
BPX

ENVIRONMENTAL SIZE 8 CRIMP COAX SOCKET CONTACT
FOR RG142, RG223 AND RG400 (ASNE 0293XF) CABLES

Issue:
28 JAN. 03

Page
1 / 1



MATERIAL:

- OUTER CONTACT: BERYLLIUM COPPER PER ASTM-B-196
- CENTER CONTACT: BRASS PER QQ-B-626
- FERRULE: BRASS PER QQ-B-626
- PROTECTIVE SLEEVE: STAINLESS STEEL PER AISI 305
- DIELECTRIC: PTFE PER ASTM-D-1710 OR EQUIVALENT
- BOOT: THERMOPLASTIC PER MIL-M-14
- SEALING BOOT: FLUOROSILICONE ELASTOMER PER MIL-R-25988 OR ZZ-R-765

FINISH:

ALL METAL PARTS: GOLD PER MIL-G-45204 TYPE I OR II, GRADE C OR D, CLASS 1 OVER NICKEL PER QQ-N-290

DESIGN REQUIREMENT

- TEMPERATURE RANGE: -65°C +125°C
- IMPEDANCE: 50Ω NOMINAL
- RATED VOLTAGE AT SEA LEVEL: 325 V RMS AT SEA LEVEL
- DIELECTRIC WITHSTANDING VOLTAGE: 750 V RMS AT SEA LEVEL
- FREQUENCY RANGE: 0 TO 500MHz
- VSWR: 1.10/1 AT 0 TO 300MHz
- VSWR: 1.30/1 AT 300 TO 500MHz

TOOLING:

- CENTER CONTACT: CRIMPING TOOL M22520/2-01 (RADIALL 282281)
POSITIONER 282587 (DANIELS K1025-S)
- FERRULE: CRIMPING TOOL M22520/5-01 (RADIALL 282293)
DIE M22520/5-05 (RADIALL 282246)
HEX A 5,40 (.212) / FLATS

EXTRACTION TOOL: M81969/28-03 (RADIALL 282549001)

WIRING INSTRUCTIONS: SEE RP55588

This information is given as an indication. In the continual goal to improve our products, we reserve the right to make any modifications judged necessary.

4112-9610

CREATION
PEN:
NOM: MACARI
DATE: 13 DEC.01
APPR.: DUPUIS	28 JAN 03	ADDED CABLE ASNE 0293XF	DUPUIS	MACARI
	Issue	Revisions	Name	Approved