

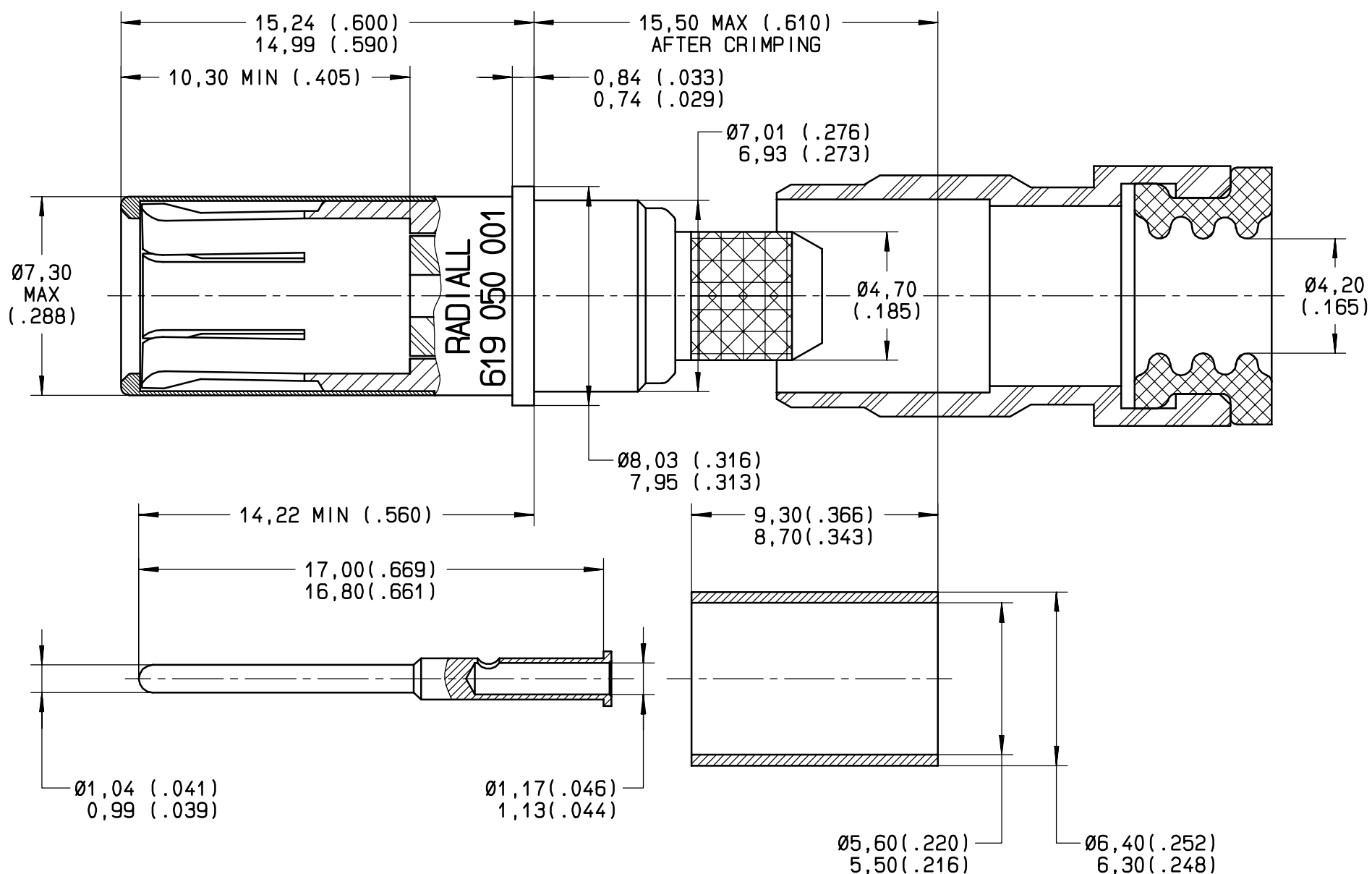


Series
BPX

ENVIRONMENTAL SIZE 8 CRIMP COAX SOCKET CONTACT
FOR RG58 AND RG141 CABLES

Issue:
13 DEC.01

Page
1 / 1



MATERIAL:

OUTER CONTACT: BERYLLIUM COPPER PER ASTM-B-196
 CENTER CONTACT: BRASS PER QQ-B-626
 FERRULE: BRASS PER QQ-B-626
 PROTECTIVE SLEEVE: STAINLESS STEEL PER AISI 305
 DIELECTRIC: TPE PER ASTM-D-1710 OR EQUIVALENT
 BOOT: THERMOPLASTIC PER MIL-M-14
 SEALING BOOT: FLUOROSILICONE ELASTOMER PER MIL-R-25988 OR ZZ-R-765

FINISH:

ALL METAL PARTS: GOLD PER MIL-G-45204 TYPE I OR II, GRADE C OR D, CLASS 1 OVER NICKEL PER QQ-N-290

DESIGN REQUIREMENT

TEMPERATURE RANGE: -65°C +125°C
 IMPEDANCE: 50Ω NOMINAL
 RATED VOLTAGE AT SEA LEVEL: 325 V RMS AT SEA LEVEL (TBV)
 DIELECTRIC WITHSTANDING VOLTAGE: 750 V RMS AT SEA LEVEL (TBV)
 FREQUENCY RANGE: 0 TO 500MHz
 VSWR: 1.10/1 AT 0 TO 300MHz (TBV)
 VSWR: 1.30/1 AT 300 TO 500MHz (TBV)

TOOLING:

CENTER CONTACT: CRIMPING TOOL M22520/2-01 (RADIALL 282281)
 POSITIONER 282587 (DANIELS K1025-S)
 FERRULE: CRIMPING TOOL M22520/5-01 (RADIALL 282293)
 DIE M22520/5-05 (RADIALL 282246)
 HEX A 5,40 (.212) / FLATS

EXTRACTION TOOL: M81969/28-03 (RADIALL 282549001)

WIRING INSTRUCTIONS: SEE RP55588

This information is given as an indication. In the continual goal to improve our products, we reserve the right to make any modifications judged necessary.

| | | | | |
|-----------------|-------|-----------|------|----------|
| CREATION | . | . | . | . |
| PEN: . | . | . | . | . |
| NOM: MACARI | . | . | . | . |
| DATE: 13 DEC.01 | . | . | . | . |
| APPR.: . | . | . | . | . |
| | Issue | Revisions | Name | Approved |