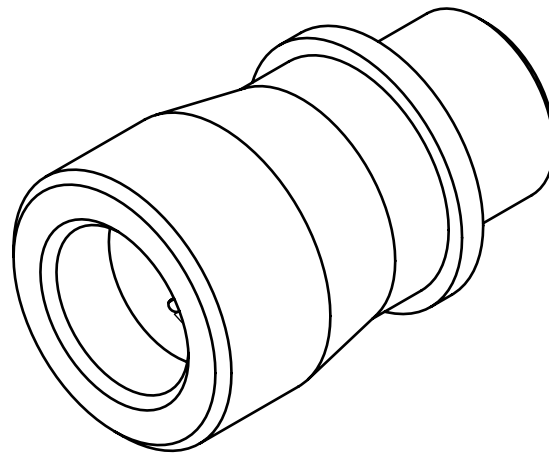
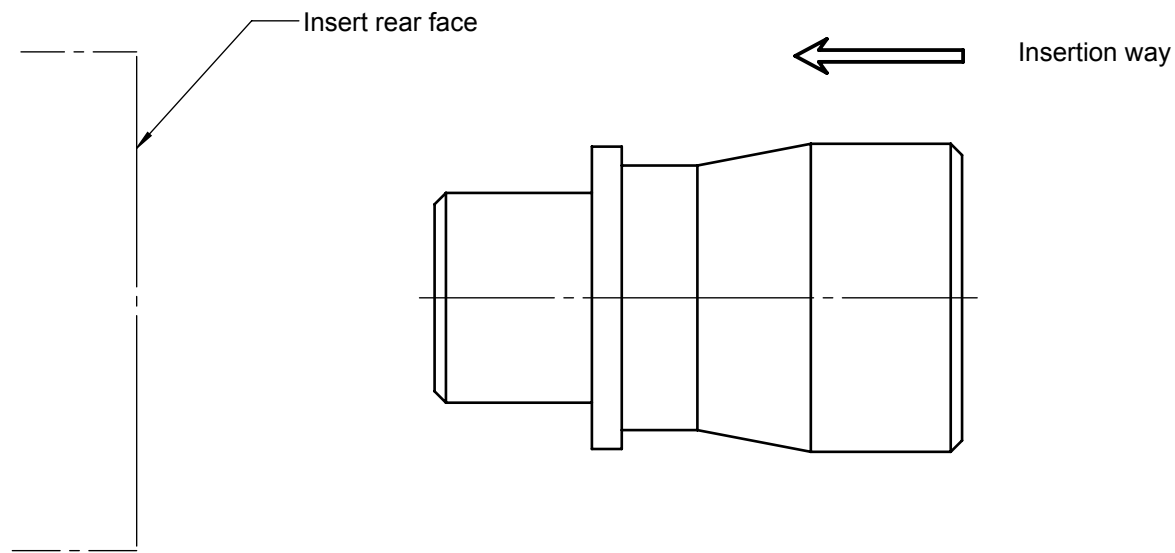


Series  
**MPX**

NON-ENVIRONMENTAL SIZE 8 TO SIZE 12, NOT REMOVABLE CAVITY REDUCER  
FOR REAR RELEASE, REAR REMOVABLE PIN CONTACT  
TO BE INSTALLED IN REAR RELEASE REAR REMOVABLE SIZE 8 CAVITY

Issue:  
Jan. 19, 2021

Page  
**1/1**



**MATERIAL:**

BODY: BRASS PER ASTM B 16 OR ASTM B 453 OR EN 12164  
CONTACT RETENTION CLIPS : BERYLLIUM COPPER PER ASTM B 194

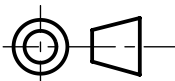
**FINISH:**

BODY: ELECTROLESS NICKEL PER SAE AMS-2404  
CONTACT RETENTION CLIPS : PLATING .00005 INCH OF GOLD PER MIL-DTL-45204 OVER NICKEL PER AMS 2403

**NOTE:**

SIZE 12 CONTACT IS GROUNDED TO THE SHELL IF THE INSERT SIZE 8 CONTACT CAVITY IS ALSO GROUNDED

**DIMENSIONS : mm (inch are given for information only)**



Estimated weight : 2,80 g

This document contains proprietary information and such information shall not be disclosed to any third party for any purpose whatsoever or used for manufacturing purposes without prior written agreement from RADIALL. This information is given as an indication. In the continual goal to improve our products, we reserve the right to make any modifications judged necessary.

4112\_9311

<b>CREATION</b>  PEN: /  NOM: BRANJONNEAU V. DATE: Jan. 19, 2021 APPR.: LEGENDRE T.				
	Issue	Revisions	Name	Approved