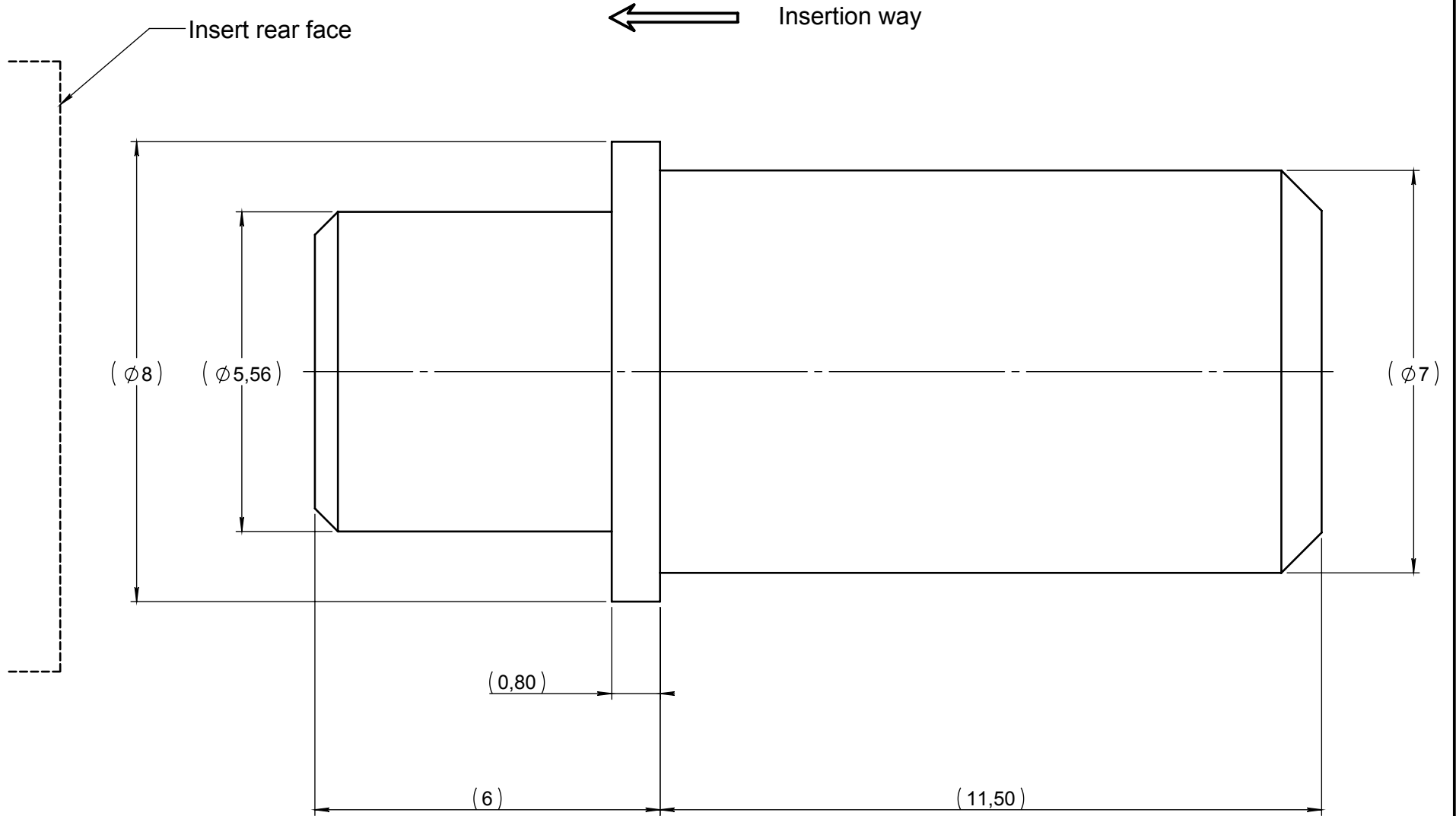


Series
MPX

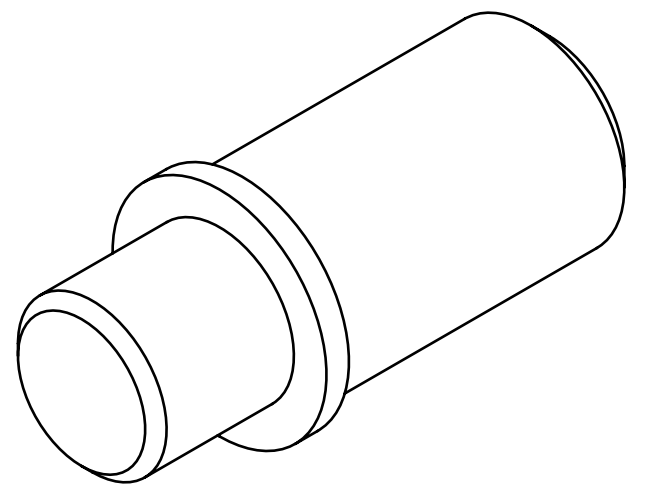
NON ENVIRONMENTAL SIZE 8 PIN FILLER PLUG
REAR RELEASE REAR REMOVABLE

Issue:
May 31, 2016

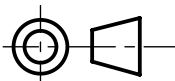
Page
1/1



MATERIAL : PTFE PER ASTM D 1710 OR EQUIVALENT, RED COLOR



DIMENSIONS : mm (inch are given for information only)



Estimated weight : 1 g

This document contains proprietary information and such information shall not be disclosed to any third party for any purpose whatsoever or used for manufacturing purposes without prior written agreement from RADIALL. This information is given as an indication. In the continual goal to improve our products, we reserve the right to make any modifications judged necessary.

4112_9311

CREATION PEN: NOM: / DATE: Dec. 18, 1989 APPR.: /				
	May 31, 16	English translation	BRANJONNEAU V.	LEGENDRE T.
	Issue	Revisions	Name	Approved