

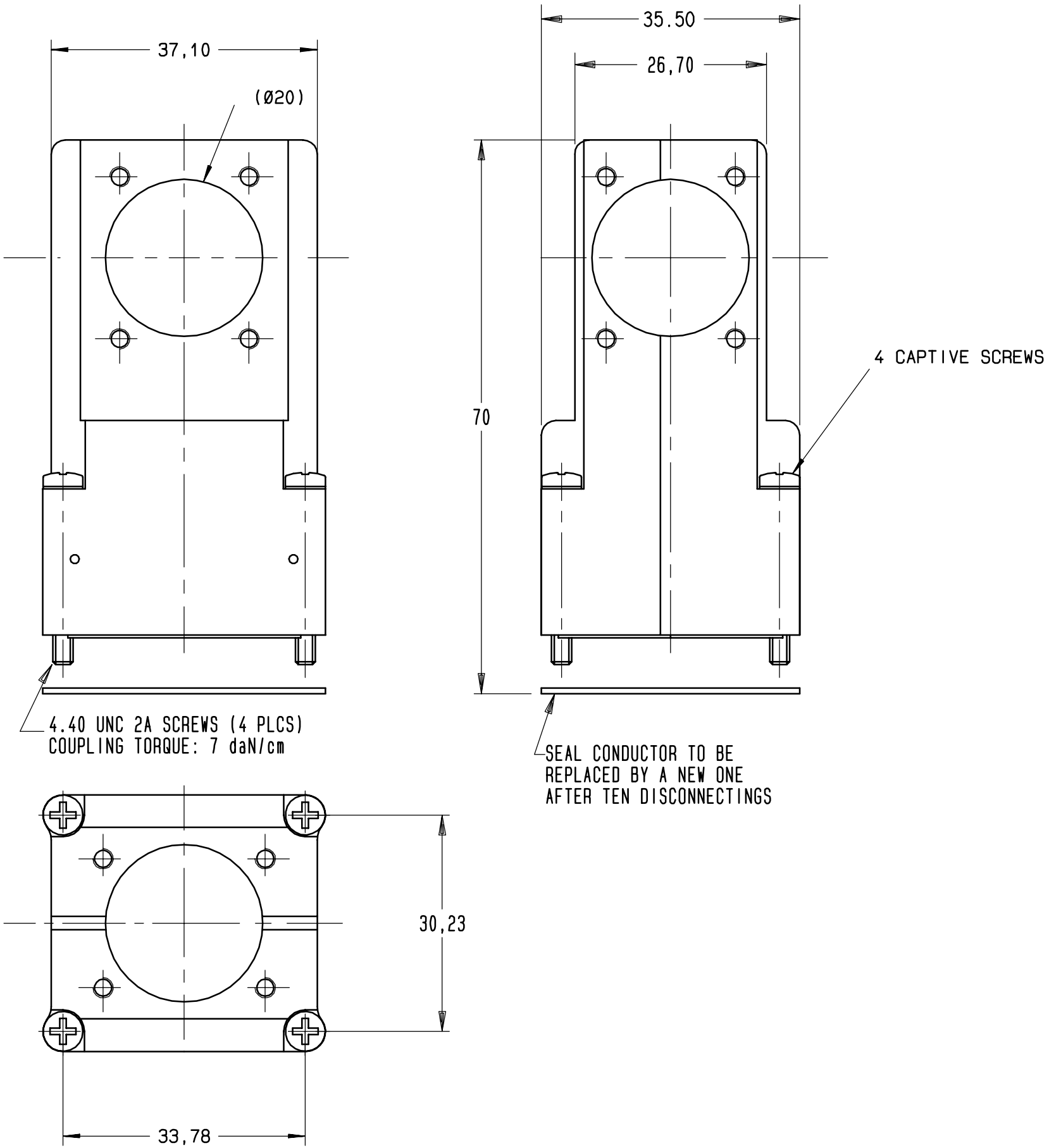


Series  
MPX

BACK SHELL FOR B, D AND ,F INSERT CAVITY

Issue:  
14 MAY 98

Page  
1 / 1



MATERIAL AND FINISH:  
- BACK SHELL: ALUMINIUM ALLOY - YELLOW CHROMATE  
CADMIUM PLATED OVER NICKEL UNDERPLATE  
- SCREWS AND WASHERS: CORROSION RESISTANT MATERIAL

BACK SHELL IS DELIVRED UNASSEMBLED

( ) FOR INFORMATION.

This information is given as an indication. In the continual goal to improve our products, we reserve the right to make any modifications judged necessary.

4112-9610

CREATION				
PEN: M980104334A				
NOM: D.FERRER				
DATE: 15-05-98				
APPR.:				
Issue	Revisions	Name	Approved	

**RADIALL**<sup>®</sup>

101, rue Philibert Hoffmann Z.I. Ouest  
93116 ROSNY/BOIS Cedex (France)  
Tl.: 01 49 35 35 35  
Fax.: 01 48 54 63 63  
Tlax: RADIA 235220