

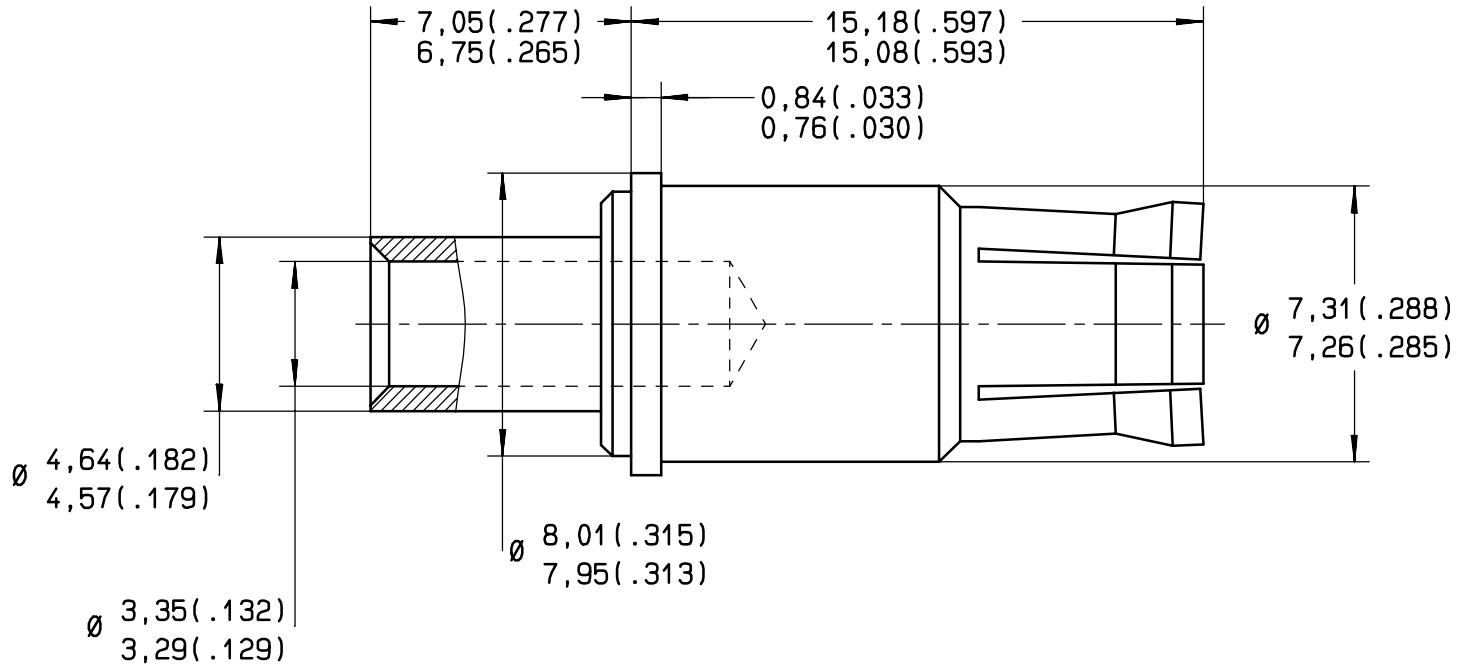


Series
MPX

SIZE 8 CRIMP SOCKET CONTACT
FOR AWG 10 CABLE

Issue:
08 MAR 2001

Page
1 / 1



MATERIAL AND FINISH:
BRASS PER QQ-B-626
GOLD PER MIL-G-45204 TYPE I OR II, GRADE C OR D, CLASS 1 OVER NICKEL PER QQ-N-290

STRIP LENGTH: 9 (.354)

TOOLING:
CRIMPING TOOL: DANIELS M300BT (RADIALL 282 296)
POSITIONER: RADIALL 282 586
SELECTOR SET 6

EXTRACTION TOOL: M81969/28-03 (RADIALL 282 549 001)

This information is given as an indication. In the continual goal to improve our products, we reserve the right to make any modifications judged necessary.

4112-9610

CREATION
PEN:
NOM: FORET
DATE: 20 MAR 1990
APPR.: .	08 MAR 01	REDRAWN	VALGRESY	.
	Issue	Revisions	Name	Approved

RADIALL[®]

101, rue Philibert Hoffmann Z.I. Ouest
93116 ROSNY/BOIS Cedex (France)
Tl.: 01 49 35 35 35
Fax.: 01 48 54 63 63
Tlax: RADIA 235220