

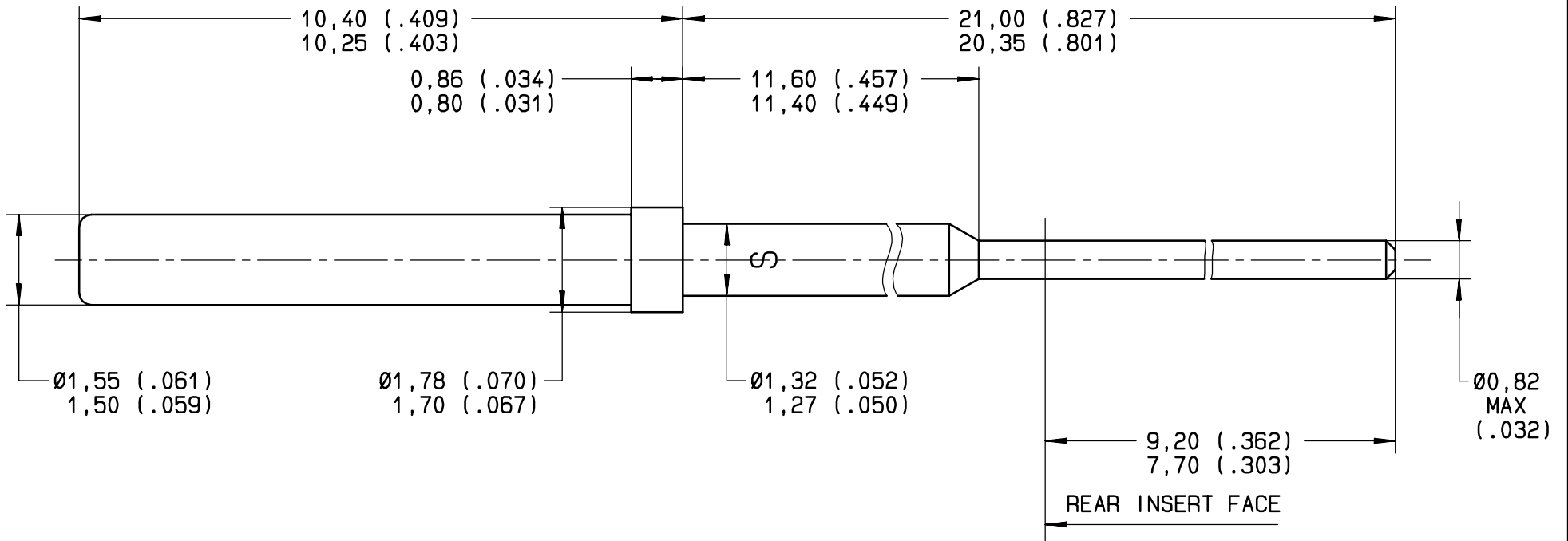


Series
MPX

SIZE 22 REAR RELEASE, REAR REMOVABLE
TIN LEAD DEPOSIT ON PC POST SOCKET CONTACT

Issue:
22/04/99

Page
1 / 1



MATERIAL:

BODY: BERYLLIUM COPPER PER ASTM-B-196
PROTECTIVE SLEEVE: STAINLESS STEEL PER AISI 305

FINISH:

BODY: .00005 INCH OF GOLD PER MIL-G-45204 TYPE I OR II, GRADE C OR D, CLASS 1 OVER NICKEL PER QQ-N-290
PWD SOLDER CONTACT AREA WHICH IS TIN LEADED PER QQ-S-571
PROTECTIVE SLEEVE: PASSIVATED PER QQ-P-35

INSERTION/EXTRACTION TOOL: M81969/1-01 (RADIALL 282885)

This information is given as an indication. In the continual goal to improve our products, we reserve the right to make any modifications judged necessary.

4112-9610

CREATION				
PEN: M990009331A				
NOM: MACARI				
DATE: 22/04/99				
APPR.:				
Issue	Revisions	Name	Approved	

RADIALL[®]

101, rue Philibert Hoffmann Z.I. Ouest
93116 ROSNY/BOIS Cedex (France)
Tl.: 01 49 35 35 35
Fax.: 01 48 54 63 63
Tlax: RADIA 235220