

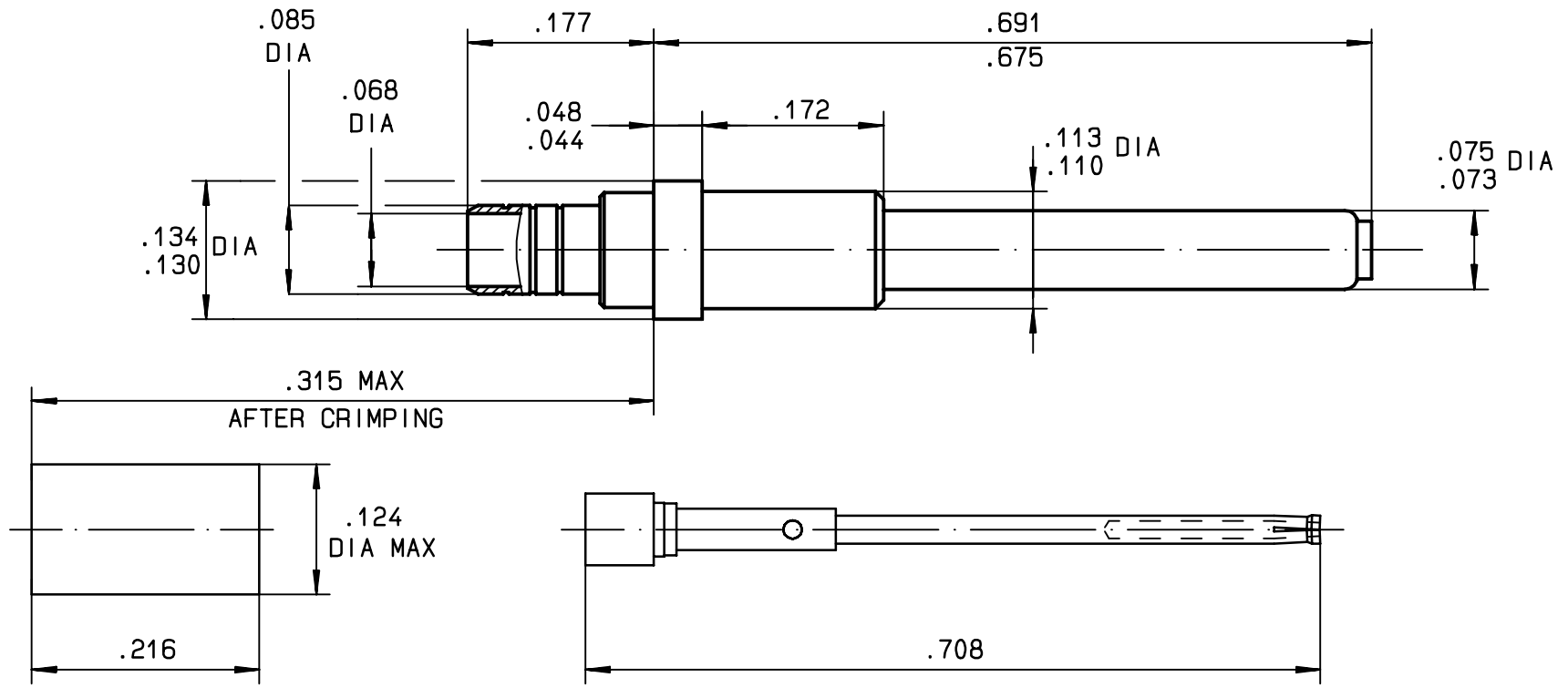


Series  
MPX

SIZE 16 COAXIAL PIN CONTACT FOR CABLES :  
KX22 DT, RG 179 AND RG 316, ASNE 0752 WS, FILECA F1709-6, ASNE 0639, ASNE 0632  
CHEMINAX 7528A1317, TENSOLITE 26850/9P077X-1, TENSOLITE 28880/9P077X-1

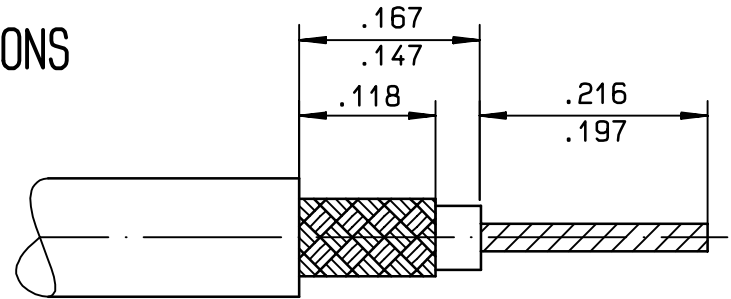
Issue:  
23 OCT.03

Page  
1 / 1

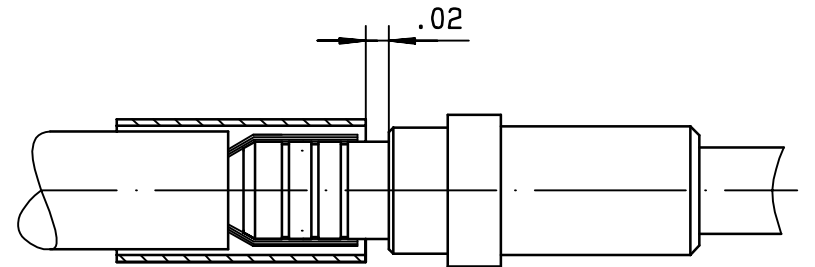
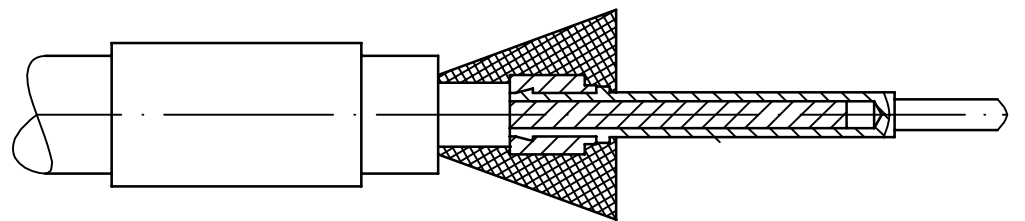


WIRING INSTRUCTIONS

1 - STRIP THE CABLE AS SHOWN



- 2 - SLIDE FERRULE OVER SHEATH
- FOLD BACK THE FIRST BRAID ON CABLE JACKET
  - CUT HIGH IMMUNITY RIBB ON .118 STRIP OFF LENGHT
  - FLARE SECOND BRAID
  - SLIDE CABLE IN CENTRAL CONTACT DIELECTRIC AGAINT THE SLEEVE
- CRIMP CENTRAL CONTACT
- TOOL M22520/2-01 (RADIALL 282 281)
  - SELECTOR SET 2
    - SET 1 FOR ONLY ASNE 0639 CABLE
    - SET 3 FOR ONLY TENSOLITE CABLES
  - POSITIONER (DANIELS K 370) (RADIALL 282 555)
- 3 - PUSH CABLE ASSEMBLY IN TO BODY CONTACT
- FOLD BRAID OVER BARREL
  - SLIDE FERRULE TO .020 OF SHOULDER BARREL
  - CRIMP THE FERRULE A FIRST TIME
  - TURN THE CONTACT OF ABOUT 45°
  - CRIMP THE FERRULE A SECONDE TIME
    - TOOL M 22520/4-01 (RADIALL 282292)
    - POSITIONER (RADIALL 282556)
    - REMOVABLE TOOL (RADIALL 282892)



This information is given as an indication. In the continual goal to improve our products, we reserve the right to make any modifications judged necessary.

CREATION				
PEN: 89066	23 OCT.03	ADDED TENSOLITE CABLES	DUPUIS	LAHOREAU
M030400048A	18 FEB.02	ADDED CHEMINAX CABLE	MACARI	COUTHON
NOM: FALETTI	11 JAN.99	ADDED ASNE 0639 AND 0632 (FET2976)	MACARI	GOMBERT
DATE: 16 JULY 90	08-12-98	UPDATED WIRING INSTRUCTIONS + ADDED CABLE ASNE	D.FERRER	VALGRESY
APPR.:.	10/02/95	REDRAWN BY CAD.	BALDYROU	VALGRESY
	Issue	Revisions	Name	Approved